

Rotating Dollies

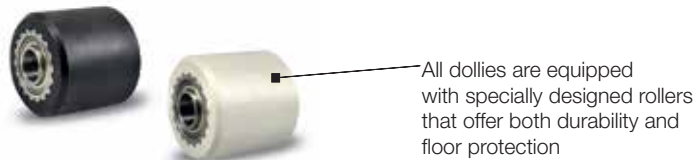
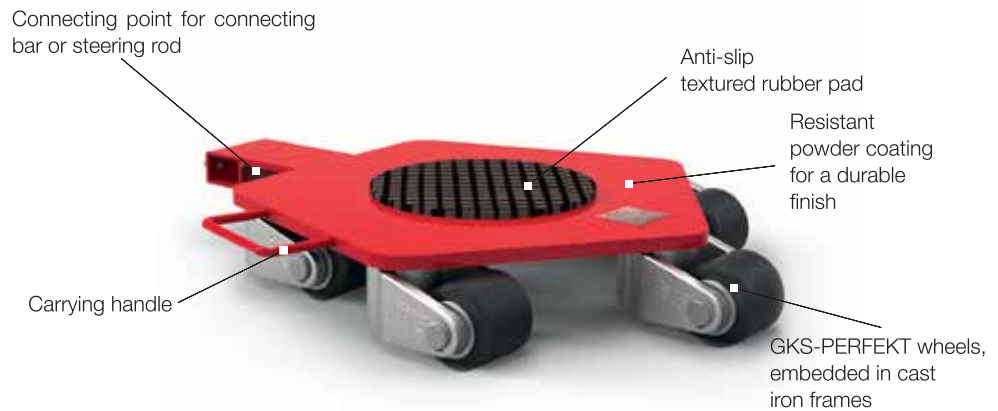
RL



Rotating Dollies RL

Sick of using straight line rollers? It'd be great if loads only needed to be moved in straight lines, but GKS-PERFEKT knows that isn't how life works. Our rotating dollies have special bearings that allow for 360-degree movement on its own axis, giving you the most maneuverability possible. Optional accessories include connecting bars and a steering rod.

Rotating Dolly RL 4



To connect several rotating dollies, connecting bars of various lengths and steering rods are available.



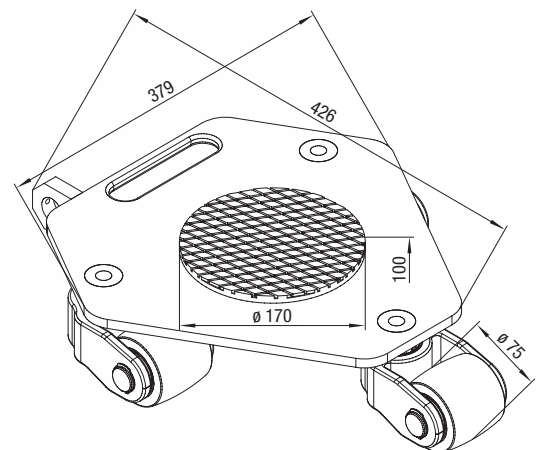
Rotating Dolly RL1

Features:

- 360-degree movement due to special bearings
- Low loading height
- Durable, non-marking rollers

Technical data

	RL1
Item number	6-11456
Loading height / number of wheels (85 mm x 85 mm)	3.9" / 3 100 mm / 3
Overall dimensions (L X W X H)	14.8 x 15 x 3.9" 376x379x 100 mm
Tare weight	33 lbs. / 15 kg
Load Capacity	2,200 lbs. / 10 kN (1 t)



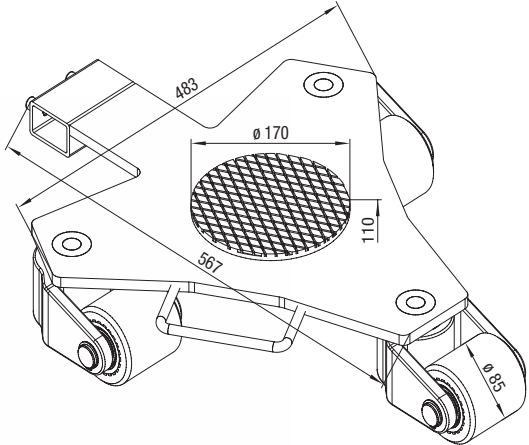


Rotating Dolly RL2

- Features:**
- Ideal for tight turns due to 360-degree capabilities
 - Minimal loading height
 - Thick, grooved rubber pad to prevent load slippage



Technical data	RL2
Item number	6-10238
Loading height / number of wheels (85 mm x 85 mm)	4.3"/3 110 mm / 3
Overall dimensions (L X W X H)	27 x 20.2 x 4.3"/ 685 x 515 x 110mm
Tare weight	66 lbs. / 30 kg
Load Capacity	4,400 lbs. / 20 kN (2 t)





Rotating Dolly RL4

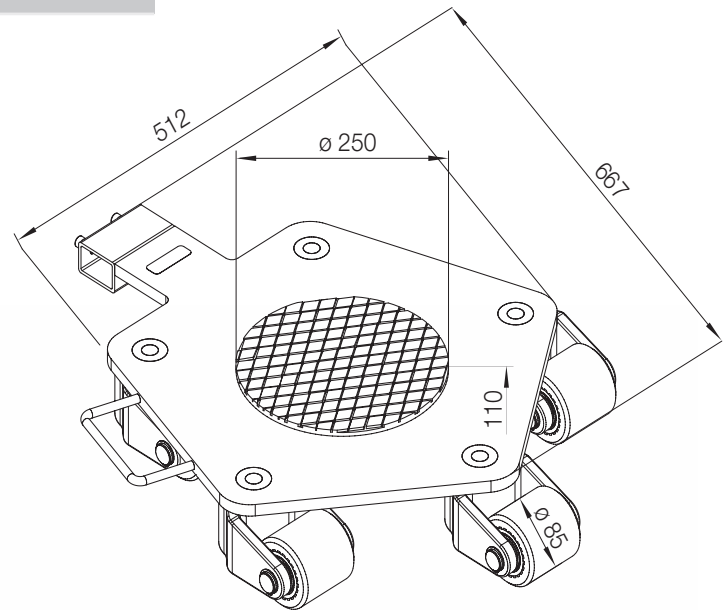
Features:

- 360-degree movement due to special bearings
- Low loading height
- Durable, non-marking rollers



Technical data

	RL4
Item number	6-10240
Loading height / number of wheels (85 mm x 85 mm)	4.3" / 5 110 mm / 5
Overall dimensions (L X W X H)	29.9 x 22.1 x 4.3" / 760 x 560 x 110 mm
Tare weight	111 lbs. / 50 kg
Load Capacity	8,800 lbs. / 40 kN (4 t)

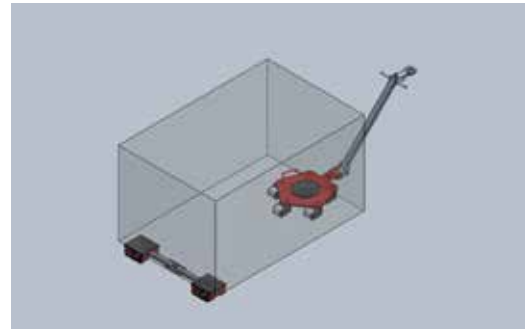




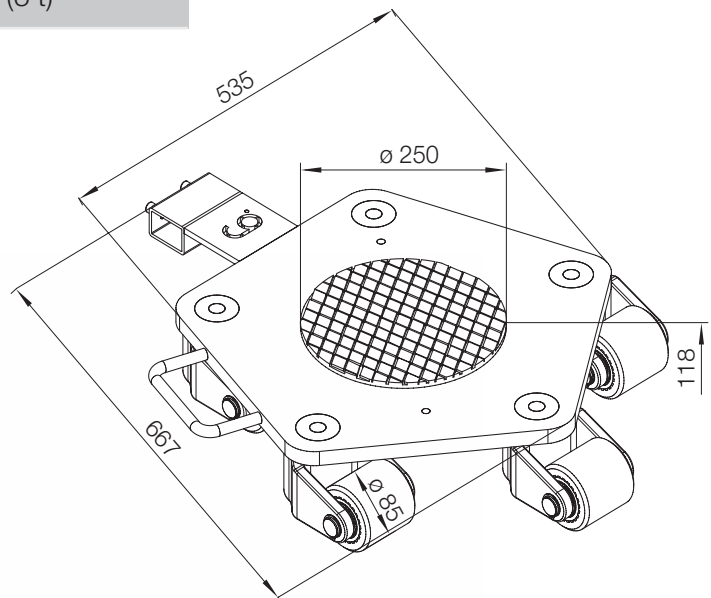
Rotating Dolly RL6

Features:

- 360-degree movement due to special bearings
- Low loading height
- Durable, non-marking rollers



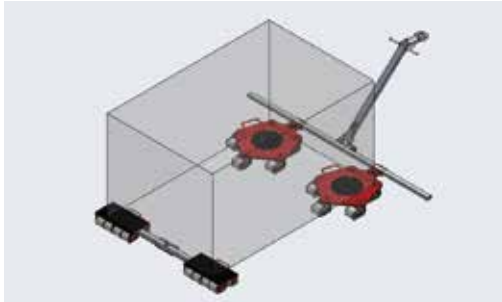
Technical data	RL6
Item number	6-13439
Loading height / number of wheels (85 mm x 85 mm)	4.6" / 5 118 mm / 5
Overall dimensions (L X W X H)	29.9 x 22.1 x 4.6" / 760 x 560 x 118 mm
Tare weight	133 lbs. / 60 kg
Load Capacity	13,200 lbs. / 60 kN (6 t)



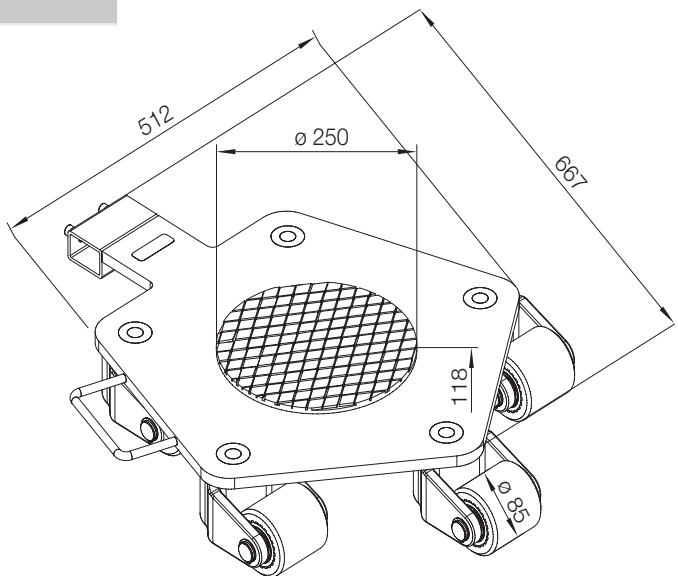


Rotating Dolly RL8

- Features:**
- Ideal for tight turns due to 360-degree capabilities
 - Minimal loading height
 - Long lasting rollers that don't mark floors



Technical data	RL8
Item number	6-13817
Loading height / number of wheels (85 mm x 85 mm)	4.6" / 5 118 mm / 5
Overall dimensions (L X W X H)	29.9 x 22.1 x 4.6" / 760 x 560 x 118 mm
Tare weight	133 lbs. / 60 kg
Load Capacity	17,600 lbs. / 80 kN (8 t)



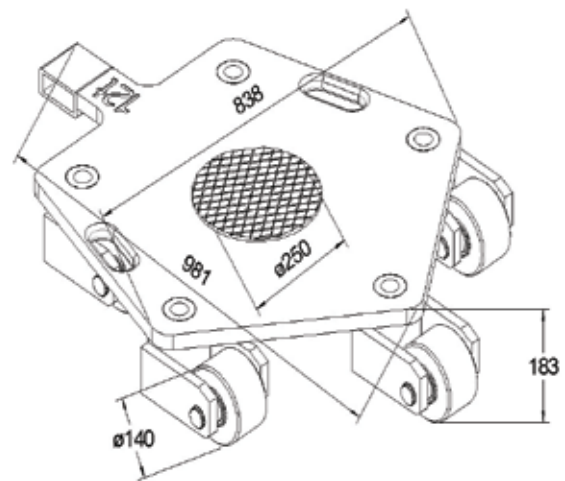


Rotating Dolly RL12

- Features:**
- 360 degree movement due to special bearings
 - Long lasting rollers that don't mark floors
 - Thick, grooved rubber pad to prevent load slippage



Technical data	RL12
Item number	6-13818
Loading height / number of wheels (140 mm x 85 mm)	7.1" / 5 180 mm / 5
Overall dimensions (L X W X H)	38.6 x 32.1 x 7.2" / 981 x 815 x 183 mm
Tare weight	408 lbs. / 185 kg
Load Capacity	26,400 lbs. / 120 kN (12 t)





Rotating Dolly Accessories

HANDLEBAR:



Get a handlebar for your rotating dollies.
Make maneuverability and towing of the load easier!
Towing eye is included.

CONNECTING BAR:



Moving on an uneven floor?
Increase load stability by acquiring a connecting bar to prevent slip outs from the load.

Available in lengths of 1.5 and 2 meters.

