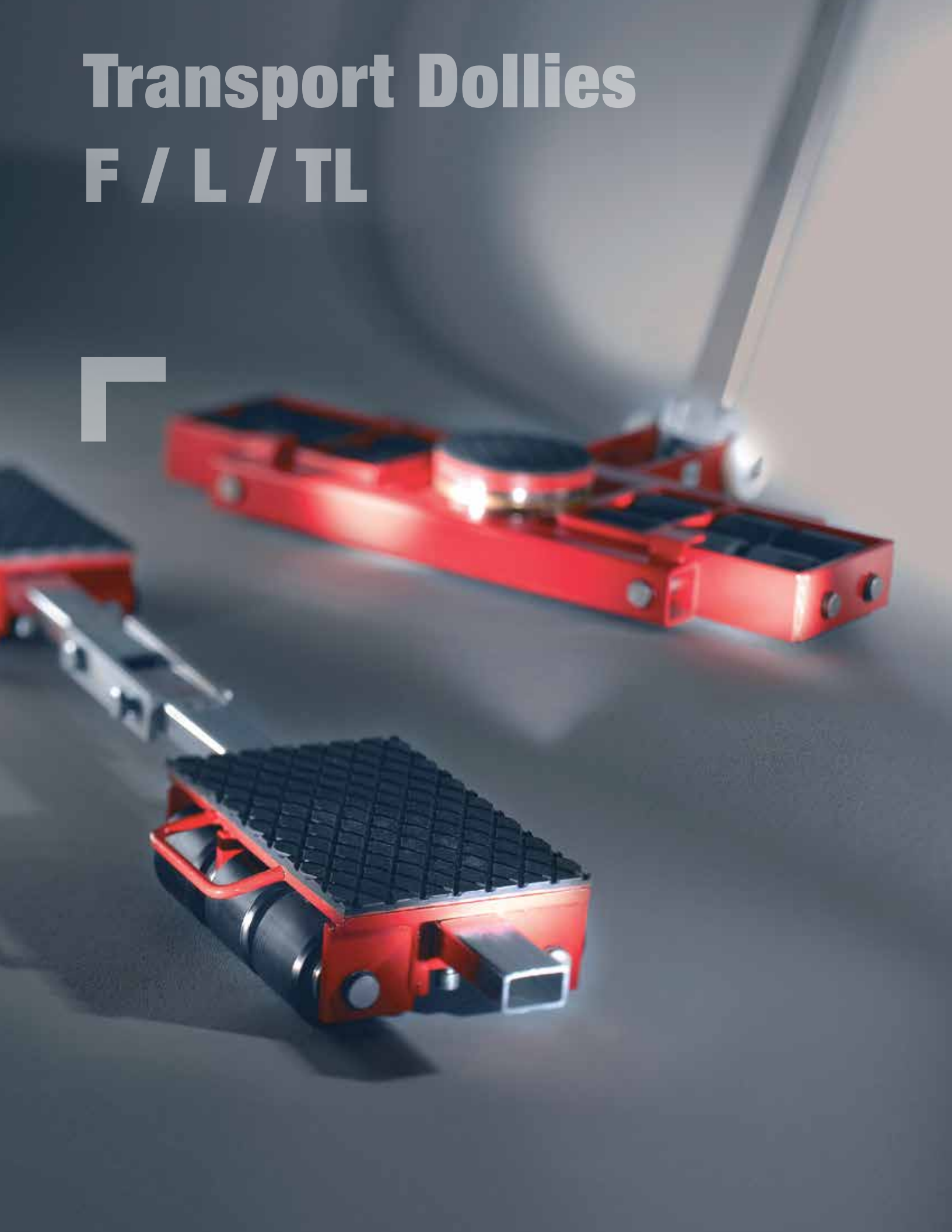


Transport Dollies

F / L / TL

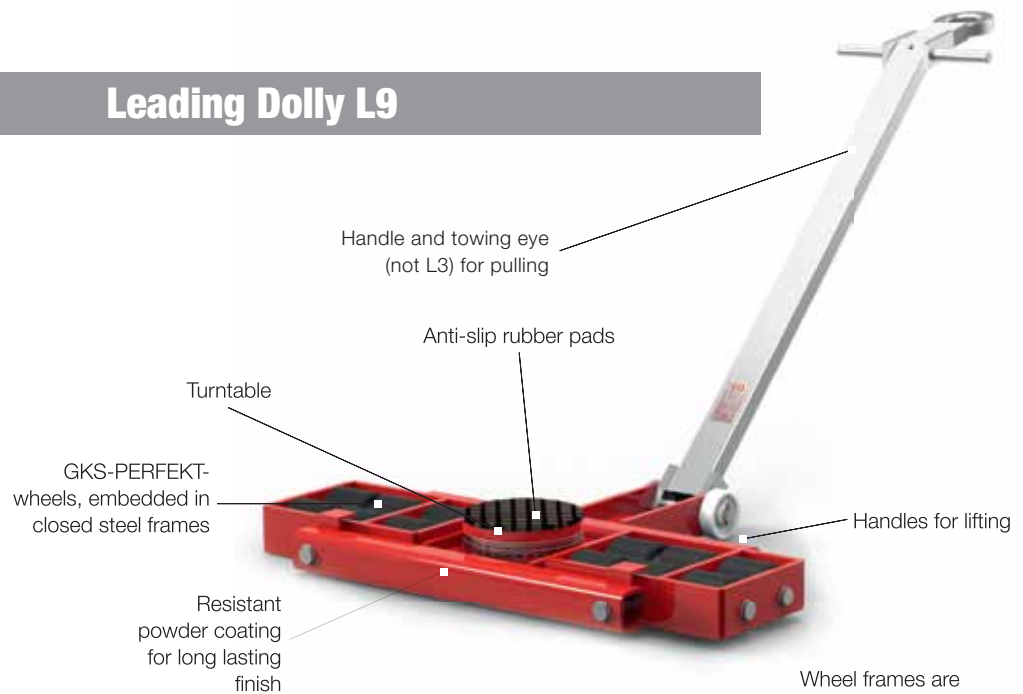


Transport Dollies

F / L / TL

When it comes to transporting heavy loads, GKS-PERFEKT transport dollies have proven themselves for over 50 years. Our traditional set, consisting of a steerable lead dolly ('L dolly') and a following dolly ('F dolly'), offers 3 points of support and works in most moving situations. For uneven loads, we recommend pairing our traditional 'F dolly' with a tandem lead dolly ('TL dolly') to create a 4-point system. GKS-PERFEKT also has specialty dollies to help move ISO containers (container dollies with special locks) and irregular, bulky loads (twinlifter dolly with hydraulic capabilities).

Leading Dolly L9



Following Dolly F9



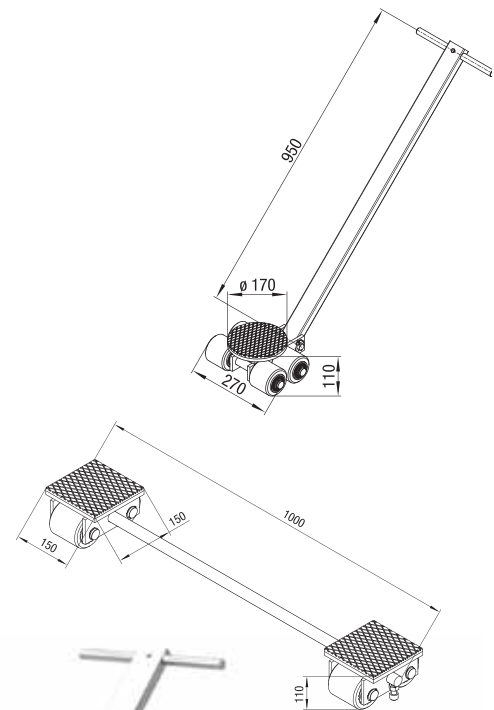


Transport Dollies F3 / L3

Features:

- L dolly- swivel plate to facilitate steering
- F dolly- width adjustable points of contact
- Durable, non-marking rollers
- Thick, grooved rubber pads to prevent load slippage

Technical data	F3	L3
Item number	3-10206	3-10207
Loading height / number of wheels (85 x 85 mm)	4.3" / 4 110mm / 4	4.3" / 4 110mm / 4
Contact surface per cartridge	5.9x5.9" / 150 x 150 mm	—
Connecting bar	11.8-39.4" / 300 - 1000 mm	—
Swivel plate ø 170 mm, steering angle	—	±90°
Steering rod	—	37.4" / 950 mm
Overall dimensions (L x W)	—	10.6 x 9.1" / 270 x 230 mm
Tare weight	33 lbs. / 15 kg	27 lbs. / 15 kg
Load Capacity	6,600 lbs. / 30 kN (3 t)	6,600 lbs. / 30 kN (3 t)
Total load capacity	13,200 lbs. / 60 kN (6 t)	



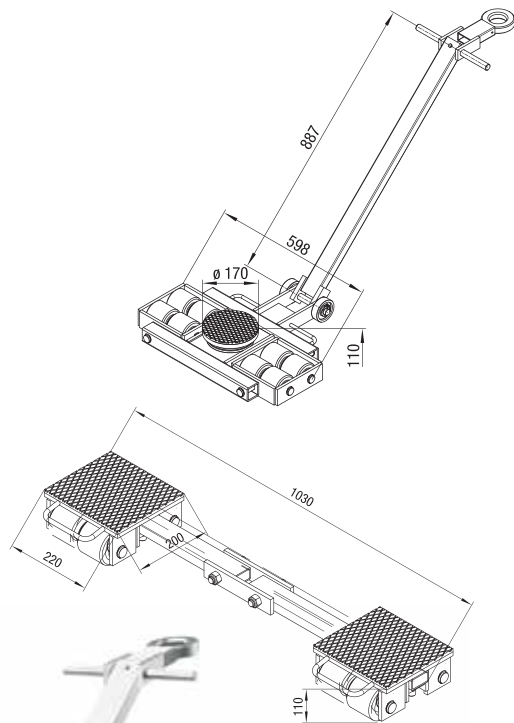


Transport Dollies F6 / L6

- Features:**
- L dolly- includes towing eye for easy transport of the load
 - F dolly- connecting bar with joint to accommodate uneven surfaces
 - High durability wheels that are non-marking
 - All wheels are boxed in for protection



Technical data	F6	L6
Item number	3-10208	3-10209
Loading height / number of wheels (85 x 85 mm)	4.3" / 8 110mm / 8	4.3" / 8 110mm / 8
Contact surface per cartridge	7.9x8.7" / 200 x 220 mm	—
Connecting bar	25.2 - 40.6" / 640 x 1030 mm	—
Swivel plate \varnothing 170 mm, steering angle	—	$\pm 90^\circ$
Steering rod	—	37.4" / 950 mm
Overall dimensions (L x W)	—	10.6 x 9.1" / 270 x 230 mm
Tare weight	60 lbs./30 kg	60 lbs./30 kg
Load Capacity	13,200 lbs. / 60 kN (6 t)	13,200 lbs. / 60 kN (6 t)
Total load capacity	26,400 lbs. / 120 kN (12 t)	

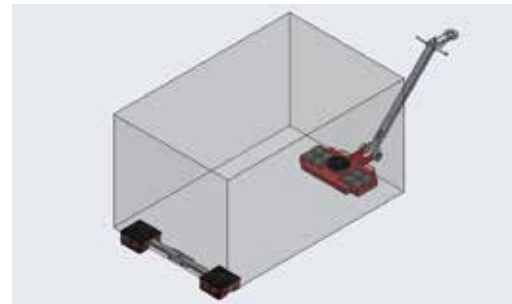




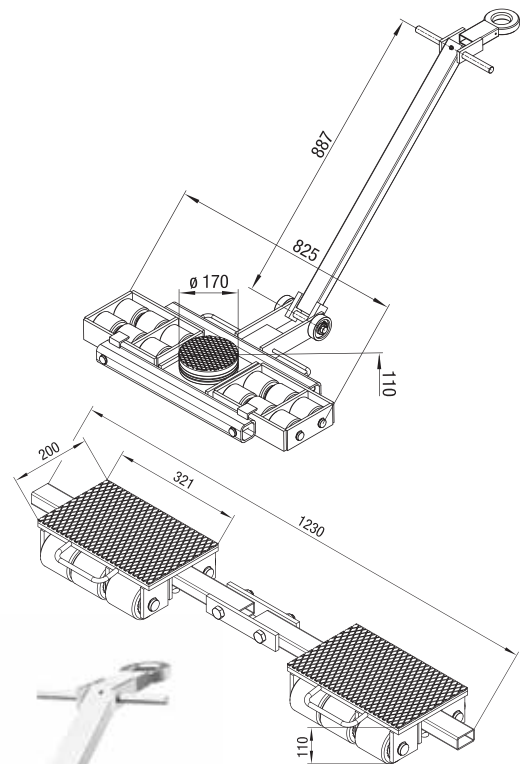
Transport Dollies F9 / L9

Features:

- L dolly- swivel plate to facilitate steering
- F dolly- connecting bar with joint to accommodate uneven surfaces
- Durable, non-marking rollers
- Thick, grooved rubber pads to prevent load slippage



Technical data	F9	L9
Item number	3-11070	3-11071
Loading height / number of wheels (85 x 85 mm)	4.3" / 12 110mm / 8	4.3" / 12 110mm / 8
Contact surface per cartridge	12.6x7.9" / 320 x 200 mm	–
Connecting bar	33 - 48.4" / 840 x 1230 mm	–
Swivel plate \varnothing 170 mm, steering angle	–	$\pm 90^\circ$
Steering rod	–	37.4" / 950 mm
Overall dimensions (L x W)	–	33.1 x 23" / 840 x 583 mm
Tare weight	95 lbs./43 kg	130 lbs./59 kg
Load Capacity	19,800 lbs. / 90 kN (9 t)	19,800 lbs. / 90 kN (9 t)
Total load capacity	39,600 lbs. / 180 kN (18 t)	

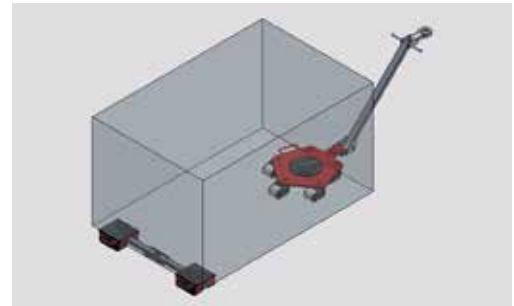




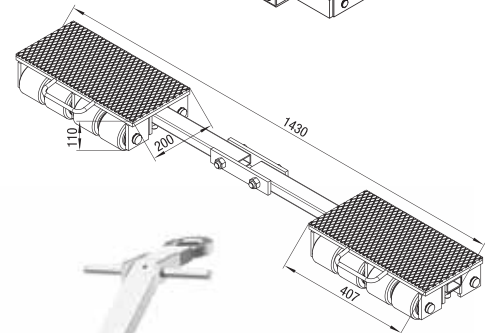
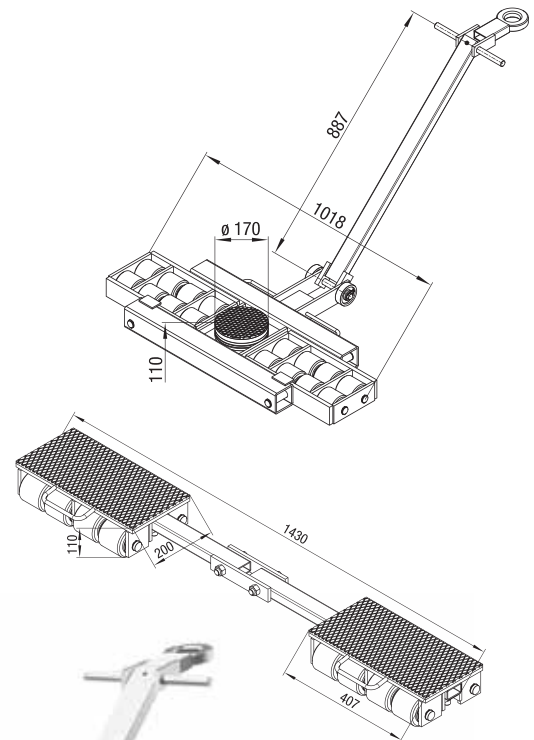
Transport Dollies F12 / L12

Features:

- L dolly- includes towing eye for easy transport of the load
- F dolly- connecting bar with joint to accommodate uneven surfaces
- High durability wheels that are non-marking
- All wheels are boxed in for protection



Technical data	F12	L12
Item number	3-10312	3-10313
Loading height / number of wheels (85 x 85 mm)	4.3" / 16 110mm / 16	4.3" / 16 110mm / 16
Contact surface per cartridge	7.6x16" / 200 x 407 mm	—
Connecting bar	39.9 -56.3" / 1014 x 1430 mm	—
Swivel plate ø 170 mm, steering angle	—	±90°
Steering rod	—	42.5"/1080mm
Overall dimensions (L x W)	—	40.6 x 24.4"/ 1030x620mm
Tare weight	115 lbs./ 52 kg	176 lbs./ 80 kg
Load Capacity	26,400 lbs. / 120 kN (12 t)	26,400 lbs. / 120 kN (12 t)
Total load capacity	52,800 lbs. / 240 kN (24 t)	

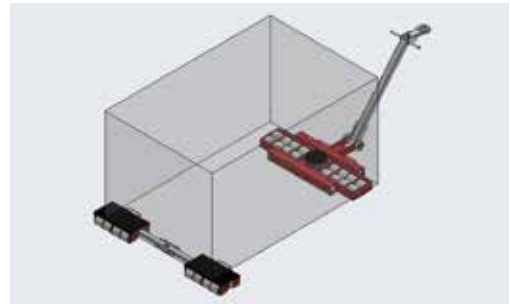




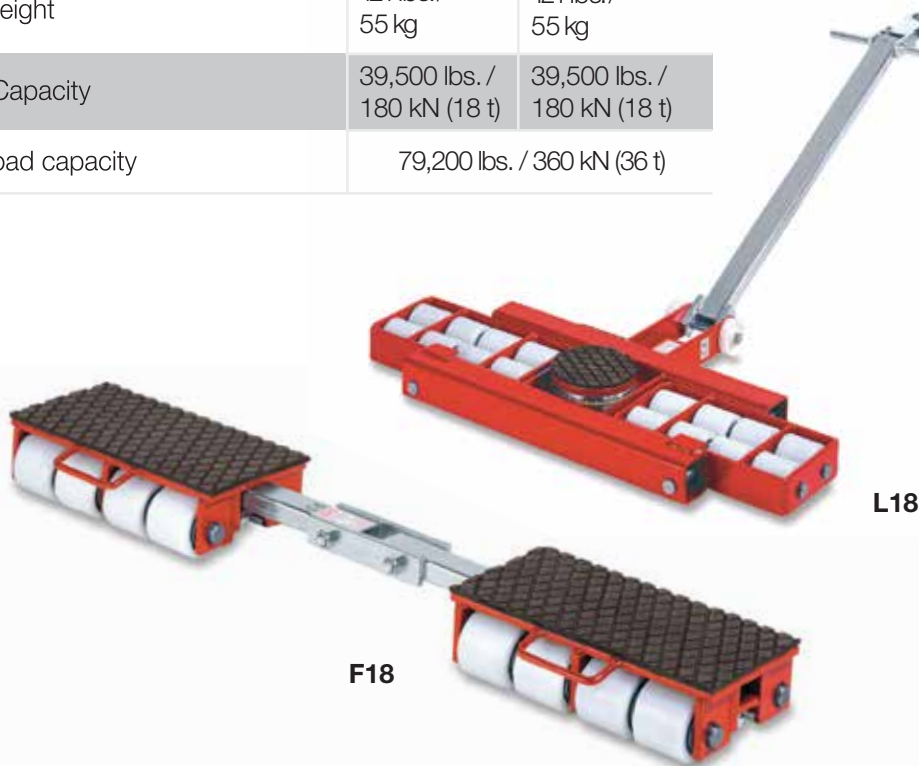
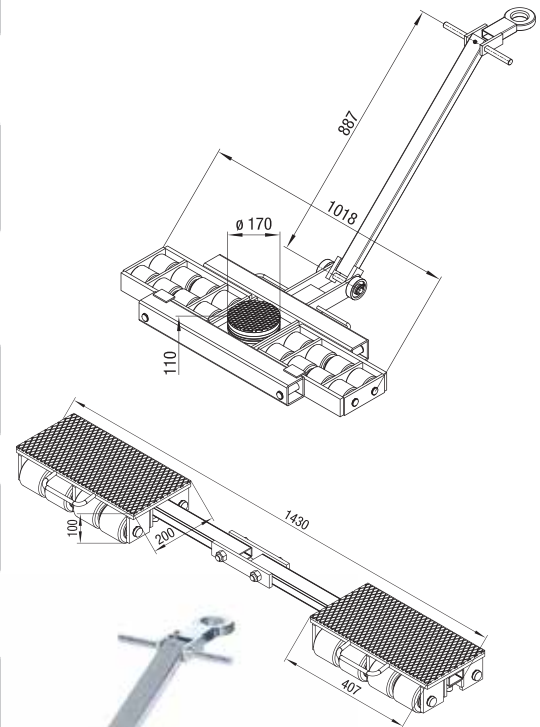
Transport Dollies F18 / L18

Features:

- L dolly- swivel plate to facilitate steering
- F dolly- width adjustable points of contact
- Durable, non-marking rollers
- Thick, grooved rubber pads to prevent load slippage



Technical data	F18	L18
Item number	3-10215	3-10216
Loading height / number of wheels (85 x 85 mm)	4.3" / 16 110mm / 16	4.3" / 16 110mm / 16
Contact surface per cartridge	7.9x16" / 200 x 407 mm	—
Connecting bar	39.9 - 56.3" / 1014 x 1430 mm	—
Swivel plate \varnothing 170 mm, steering angle	—	$\pm 90^\circ$
Steering rod	—	42.5" / 1080 mm
Overall dimensions (L x W)	—	40.6 x 24.4" / 1030 x 620 mm
Tare weight	121 lbs./ 55 kg	121 lbs./ 55 kg
Load Capacity	39,500 lbs. / 180 kN (18 t)	39,500 lbs. / 180 kN (18 t)
Total load capacity	79,200 lbs. / 360 kN (36 t)	



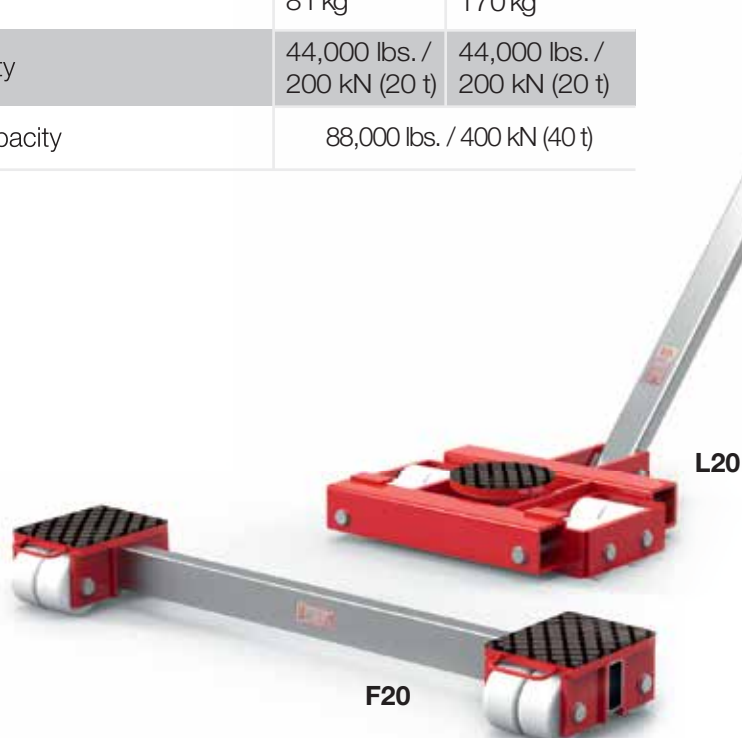
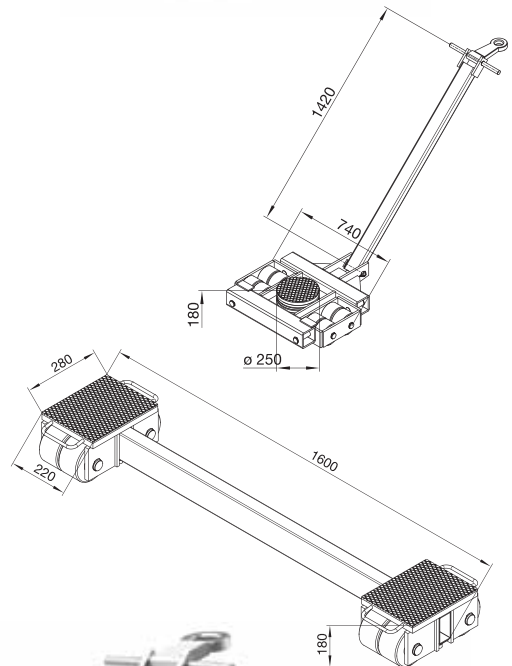


Transport Dollies F20 / L20

Features:

- L dolly- includes towing eye for easy transport of the load
- F dolly- width adjustable points of contact
- High durability wheels that are non-marking
- All wheels are boxed in for protection

Technical data	F20	L20
Item number	3-11060	3-11061
Loading height / number of wheels (140 x 85mm)	7.1" / 8 180 mm / 8	7.1" / 8 180 mm / 8
Contact surface per cartridge	11.2x8.7" / 280 x 220 mm	—
Connecting bar	17.3 - 63" / 440 x 1600 mm	—
Swivel plate ø 170 mm, steering angle	—	±90°
Steering rod	—	63.8"/1620mm
Overall dimensions (L x W)	—	29.4 x 31.5"/ 747 x 800 mm
Tare weight	179lbs./ 81 kg	375 lbs./ 170 kg
Load Capacity	44,000 lbs. / 200 kN (20 t)	44,000 lbs. / 200 kN (20 t)
Total load capacity	88,000 lbs. / 400 kN (40 t)	





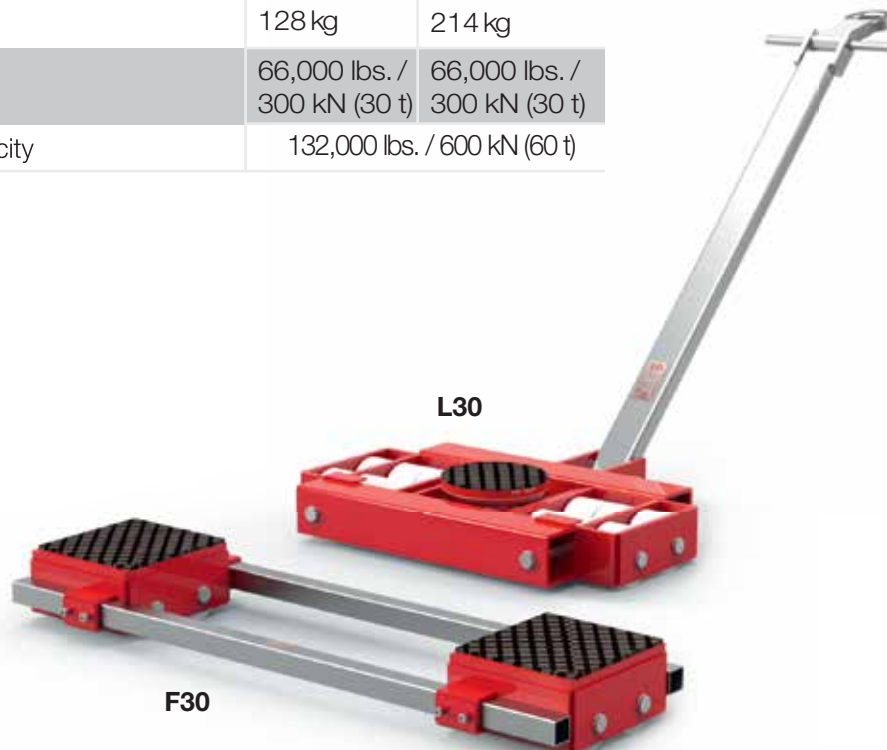
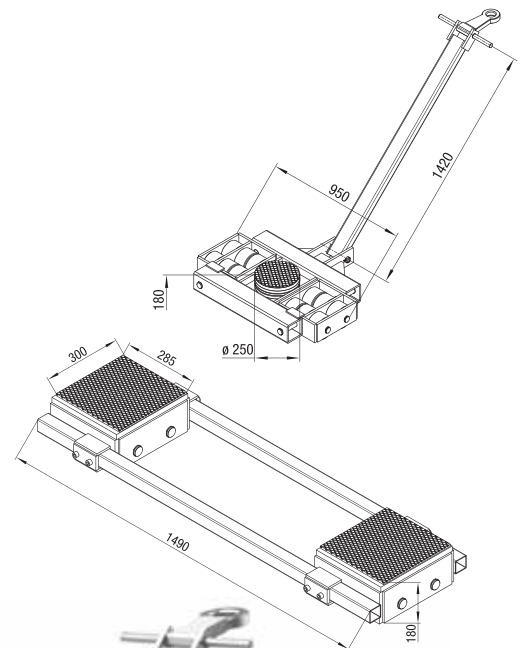
Transport Dollies F30 / L30

Features:

- L dolly- swivel plate to facilitate steering
- F dolly- width adjustable points of contact
- Durable, non-marking rollers
- Thick, grooved rubber pads to prevent load slippage



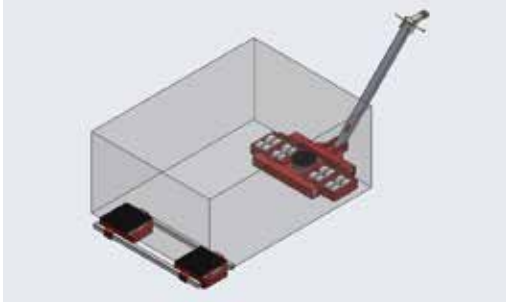
Technical data	F30	L30
Item number	3-11992	3-11993
Loading height / number of wheels (140 x 85mm)	7.1" / 12 180 mm / 12	7.1" / 12 180 mm / 12
Contact surface per cartridge	11.3x11.8" / 288 x 300 mm	—
Connecting bar	25.6 - 72" / 650 x 1830 mm	—
Swivel plate ø 250 mm, steering angle	—	±90°
Steering rod	—	63.8"/1620mm
Overall dimensions (L x W)	—	32.3 x 37.5" / 820 x 952 mm
Tare weight	282 lbs. / 128 kg	472 lbs. / 214 kg
Load Capacity	66,000 lbs. / 300 kN (30 t)	66,000 lbs. / 300 kN (30 t)
Total load capacity	132,000 lbs. / 600 kN (60 t)	



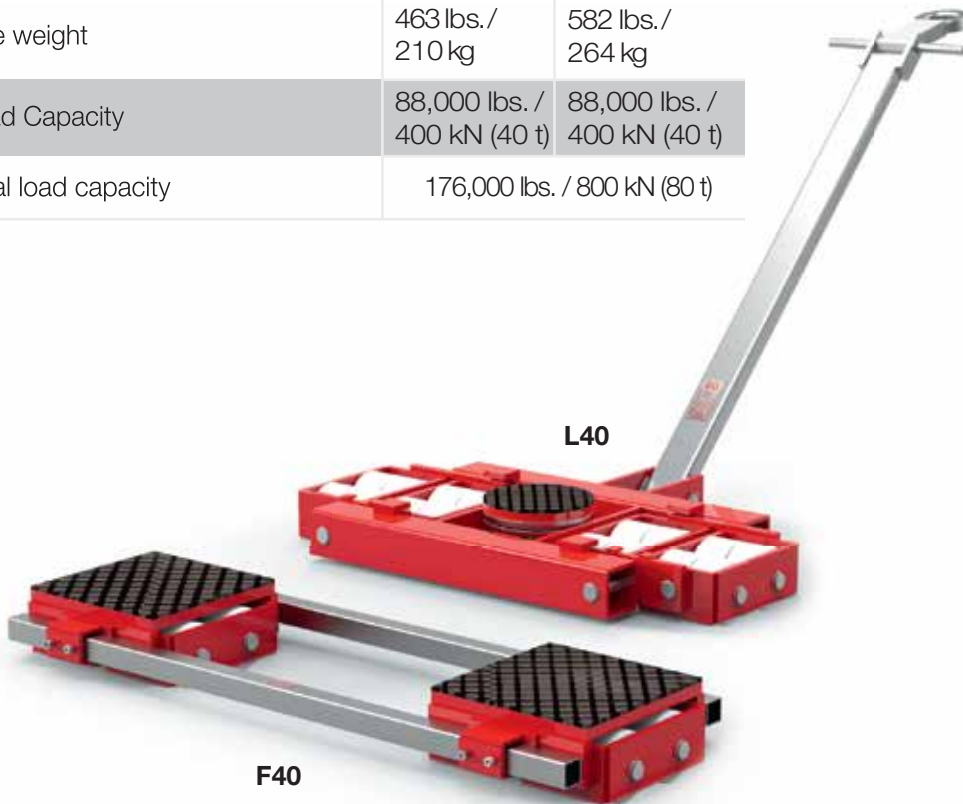
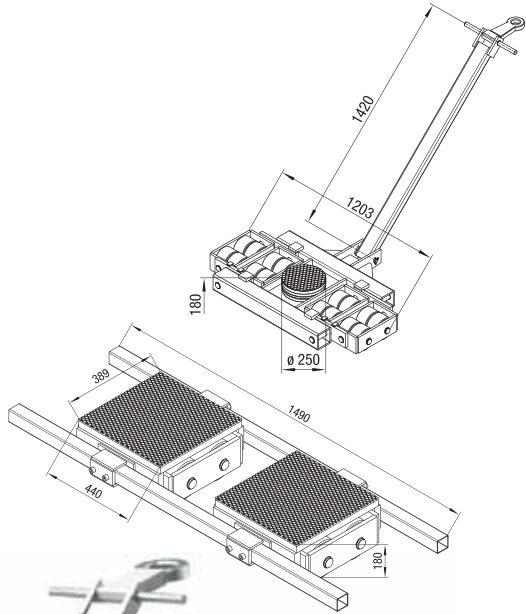


Transport Dollies F40 / L40

- Features:**
- L dolly- includes towing eye for easy transport of the load
 - F dolly- two connecting bars for greater stability
 - High durability wheels that are non-marking
 - All wheels are boxed in for protection



Technical data	F40	L40
Item number	3-11770	3-11771
Loading height / number of wheels (140 x 85mm)	7.1" / 16 180 mm / 16	7.1" / 16 180 mm / 16
Contact surface per cartridge	14.6x14.6" / 370 x 370 mm	—
Connecting bar	29.1 - 71.1" / 740 x 1820 mm	—
Swivel plate ø 250 mm, steering angle	—	± 90°
Steering rod	—	63.8" / 1620mm
Overall dimensions (L x W)	—	47.4 x 33.7" / 1204x855mm
Tare weight	463 lbs. / 210 kg	582 lbs. / 264 kg
Load Capacity	88,000 lbs. / 400 kN (40 t)	88,000 lbs. / 400 kN (40 t)
Total load capacity	176,000 lbs. / 800 kN (80 t)	

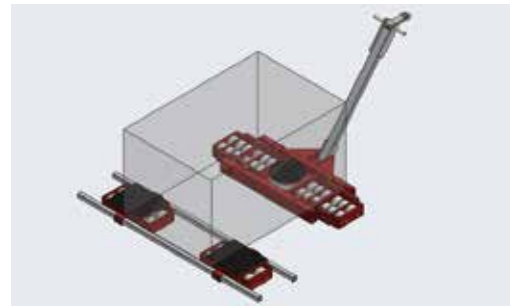




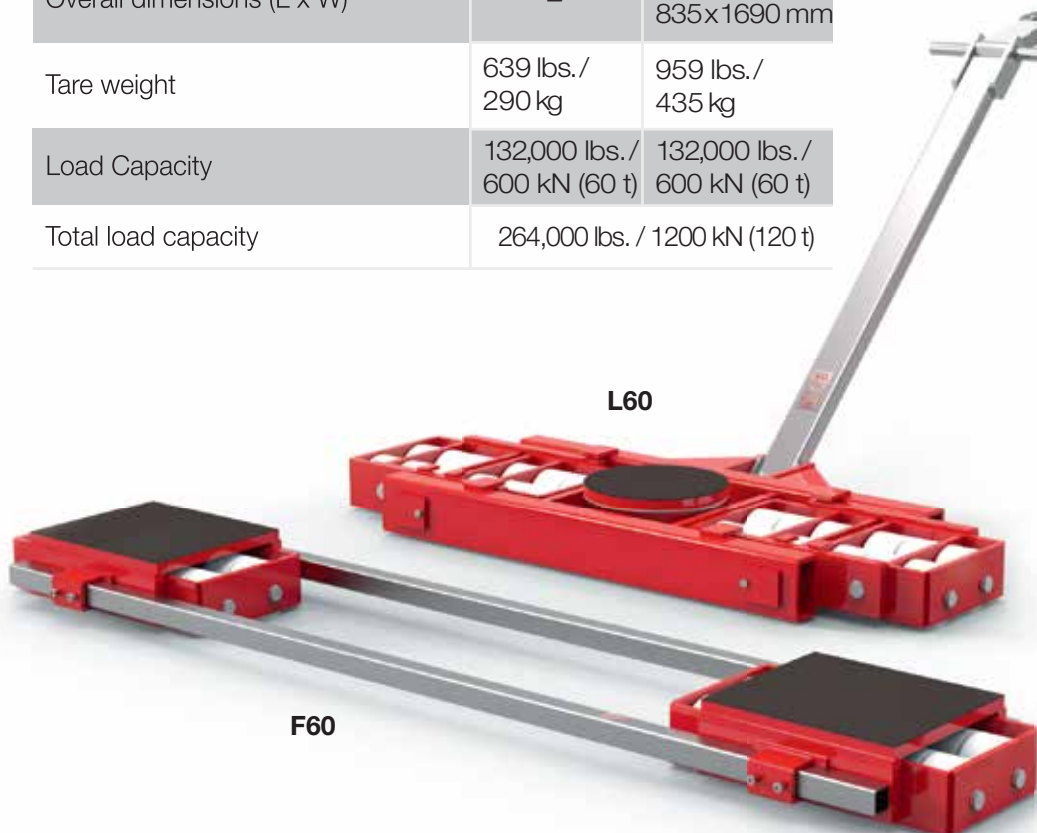
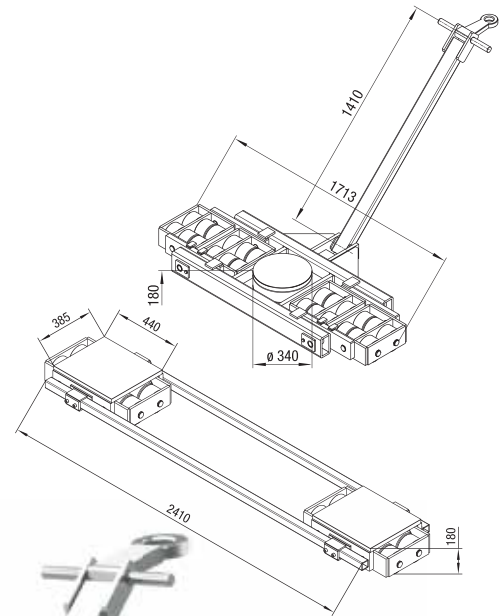
Transport Dollies F60 / L60

Features:

- L dolly- swivel plate to facilitate steering
- F dolly- width adjustable points of contact
- Durable, non-marking rollers
- All wheels are boxed in for protection



Technical data	F60	L60
Item number	3-10226	3-10227
Loading height / number of wheels (140 x 85mm)	7.1" / 24 180 mm / 24	7.1" / 24 180 mm / 24
Contact surface per cartridge	15.4 x 17.3" / 390 x 440 mm	—
Connecting bar	43.3 - 107.5" / 1100 x 2730 mm	—
Swivel plate ø 340 mm, steering angle	—	±90°
Steering rod	—	63.8"/1620 mm
Overall dimensions (L x W)	—	32.9 x 66.5"/ 835 x 1690 mm
Tare weight	639 lbs./ 290 kg	959 lbs./ 435 kg
Load Capacity	132,000 lbs./ 600 kN (60 t)	132,000 lbs./ 600 kN (60 t)
Total load capacity	264,000 lbs. / 1200 kN (120 t)	

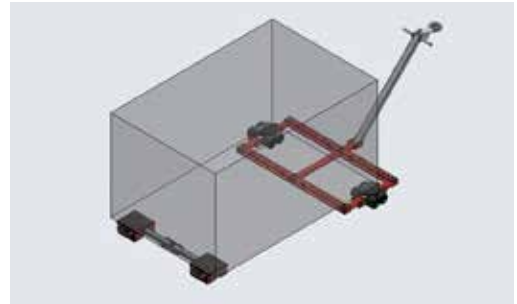




Tandem Dolly TL6

Features:

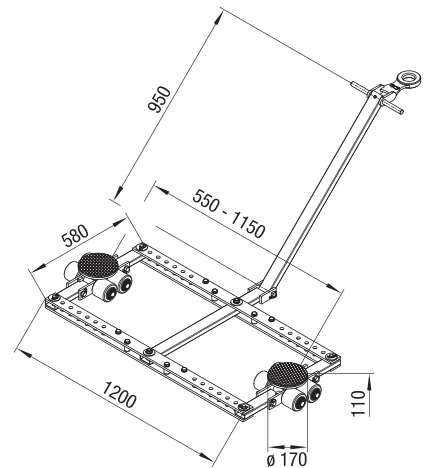
- Designed for unbalanced loads or when 4 points of support are required
- Swivel plates to facilitate steering
- Can be paired with a regular F dolly, or with another TL dolly when a small turn radius is desired



Technical data

TL6

Item number	5-10229
Loading height / number of wheels (85 x 85 mm)	4.3" / 8 110 mm / 8
2 swivel plates ø 170 mm, steering angle	±50°
Overall dimensions (L x W)	56 x 30" / 1420 x 760 mm
Adjustable width	19.7 x 45.3" / 500 x 1150 mm
Steering rod with eye for pulling	37.8" / 960 mm
Tare weight	120 lbs. / 34 kg
Load Capacity	13,200 lbs. / 60 kN (6 t)





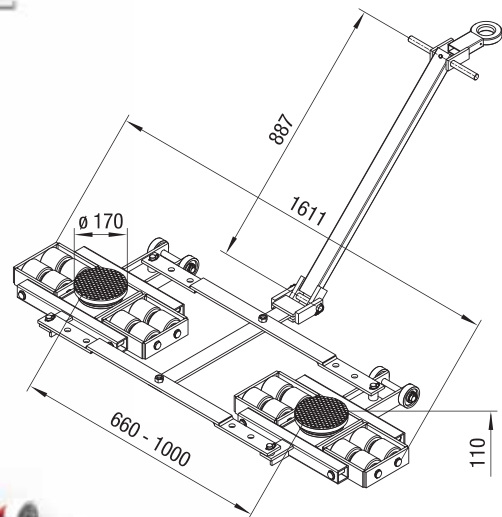
Tandem Dolly TL12

Features:

- Designed for unbalanced loads or when 4 points of support are required
- Swivel plates to help with maneuverability
- Can be paired with a regular F dolly, or with another TL dolly when a small turn radius is desired



Technical data	TL12
Item number	5-10230
Loading height / number of wheels (85 x 85 mm)	4.3" / 16 110 mm / 16
2 swivel plates \varnothing 170 mm, steering angle	$\pm 40^\circ$
Overall dimensions (L x W)	63.4 x 27.8" / 1610 x 705 mm
Adjustable width	26 x 39.4" / 660 x 1000 mm
Steering rod with eye for pulling	42.5" / 1080 mm
Tare weight	232 lbs. / 105 kg
Load Capacity	26,400 lbs. / 120 kN (12 t)



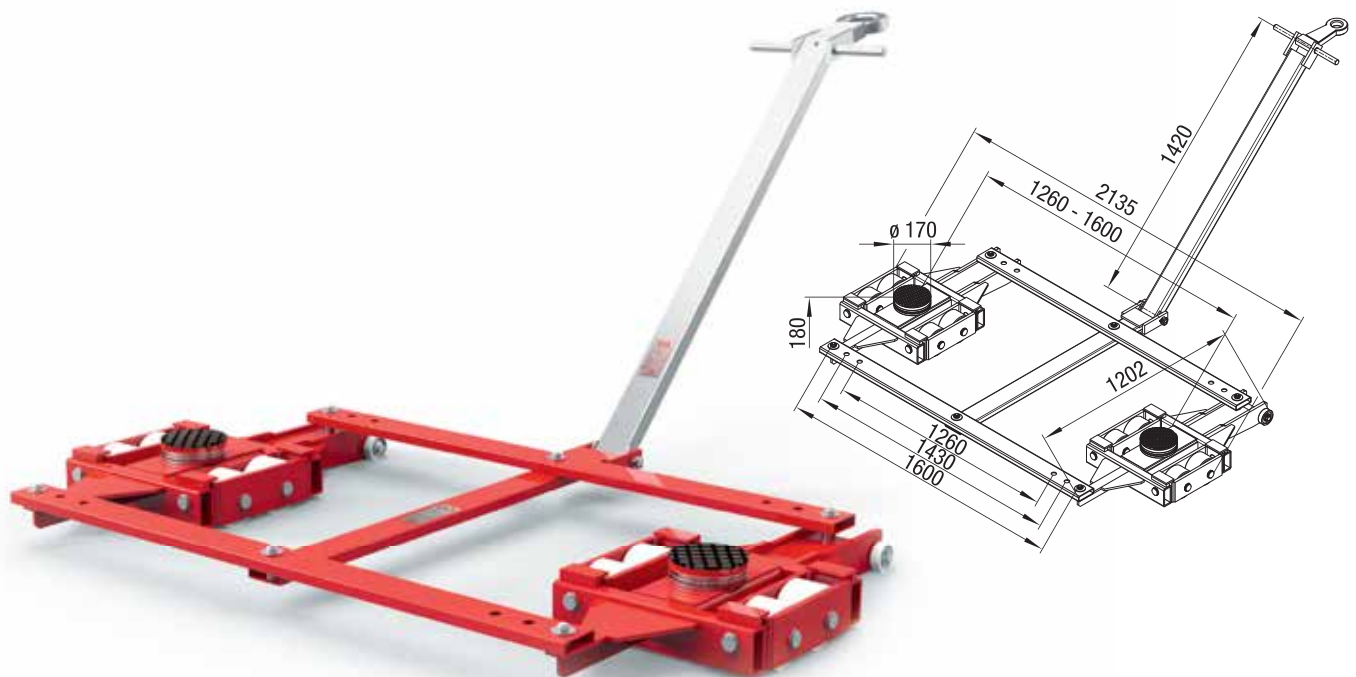


Tandem Dolly TL20

- Features:**
- Designed for unbalanced loads or when 4 points of support are required
 - Swivel plates to help with steering
 - Can be paired with a regular F dolly, or with another TL dolly when a small turn radius is desired



Technical data	TL20
Item number	5-11803
Loading height / number of wheels (140x85 mm)	7.1" / 8 180 mm / 8
2 swivel plates ø 170 mm, steering angle	±45°
Overall dimensions (L x W)	84 x 46.5" / 2135 x 1180 mm
Adjustable width	50 x 63" / 1260 x 1600 mm
Steering rod with eye for pulling	64" / 1620 mm
Tare weight	493 lbs. / 222 kg
Load Capacity	44,000 lbs. / 200 kN (20 t)





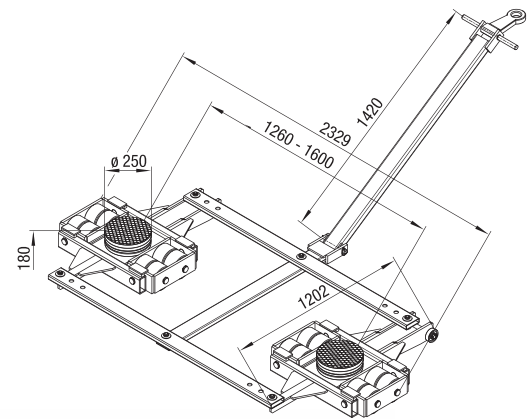
Tandem Dolly TL40

Features:

- Designed for unbalanced loads or when 4 points of support are required
- Swivel plates to help maneuver the load
- Can be paired with a regular F dolly, or with another TL dolly when a small turn radius is desired

Technical data

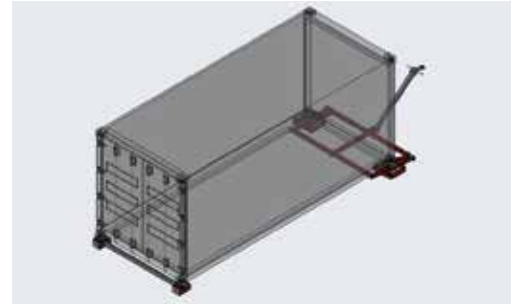
	TL40
Item number	5-11148
Loading height / number of wheels (140x85 mm)	7.1" / 8 180 mm / 8
2 swivel plates ø 170 mm, steering angle	±45°
Overall dimensions (L x W)	87.4 x 46.5" / 2220 x 1180 mm
Adjustable width	50 x 63" / 1260 x 1600 mm
Steering rod with eye for pulling	64" / 1620 mm
Tare weight	578 lbs. / 260 kg
Load Capacity	88,000 lbs. / 400 kN (40 t)



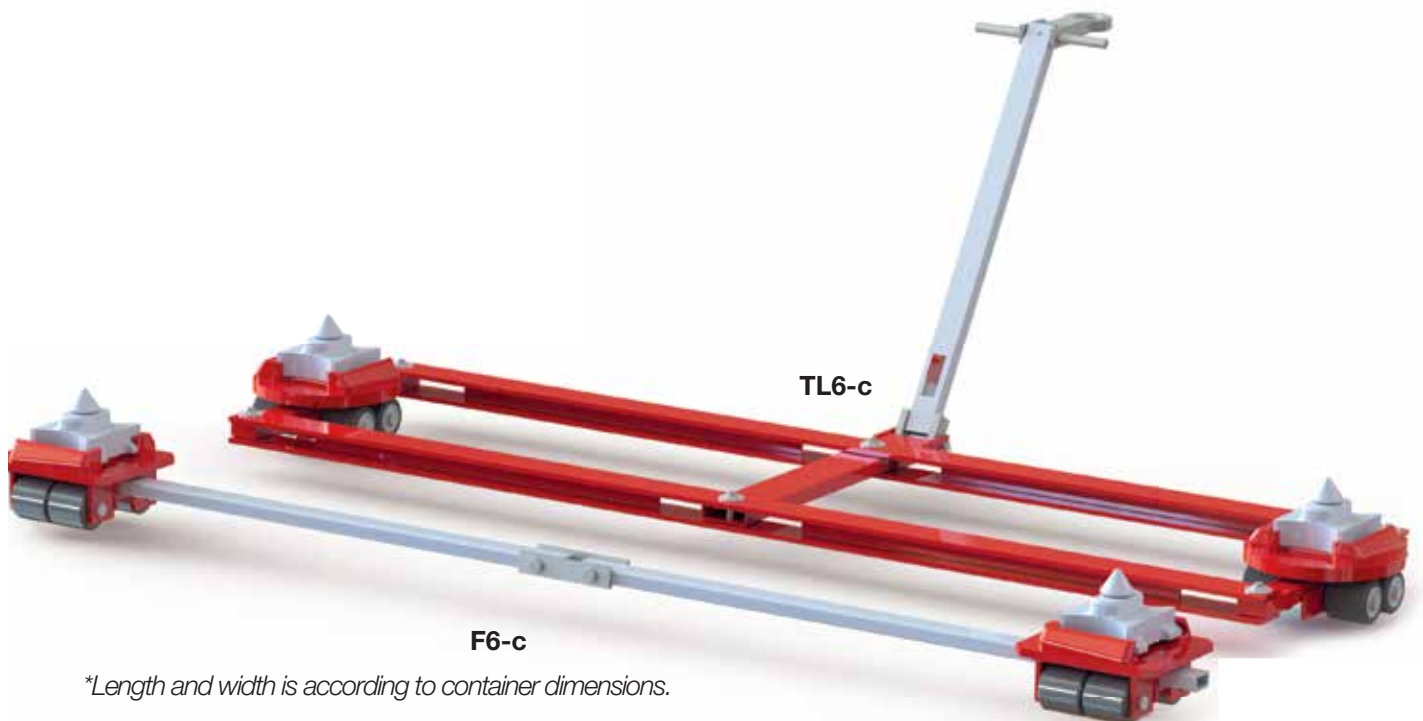
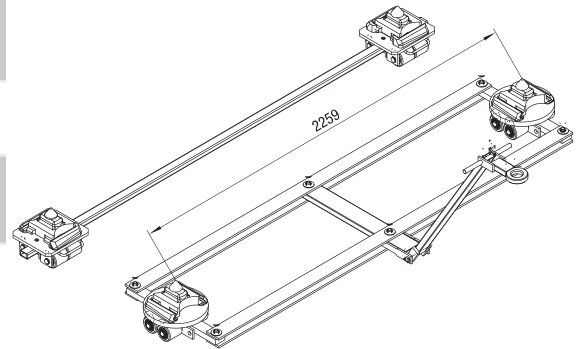


Container Dollies F6-c / TL6-c

- Features:**
- Features special twist locks to secure ISO containers to the dolly
 - Able to accommodate uneven loads due to 4 points of support
 - Connecting bars to increase load stability
 - Durable, non-marking rollers



Technical data	F6-c	TL6-c
Item number	5-13642	5-13643
Loading height / number of wheels (85 x 85 mm)	7" / 8 176 mm / 8	7" / 8 176 mm / 8
Overall dimensions (L x W)	—	*x 89" / 2259 mm
Tare weight	111 lbs. / 50 kg	167 lbs. / 75 kg
Load Capacity	26,400 lbs. / 120 kN (12 t)	



**Length and width is according to container dimensions.*



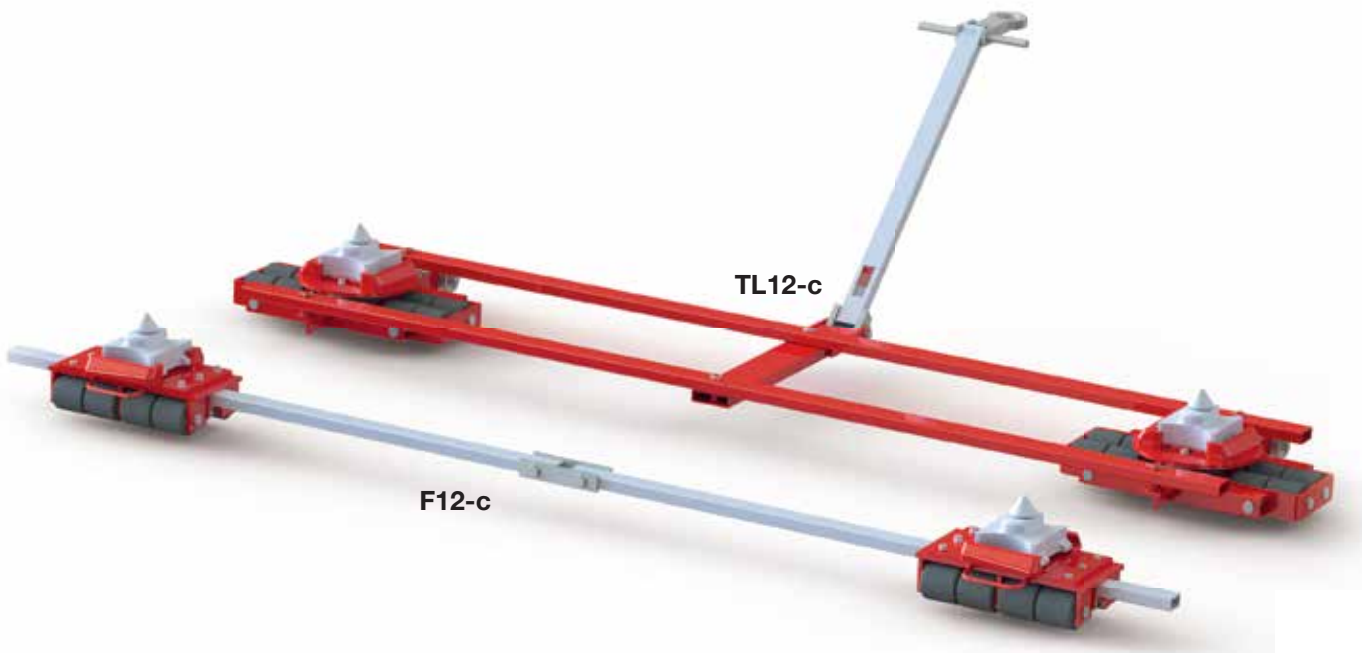
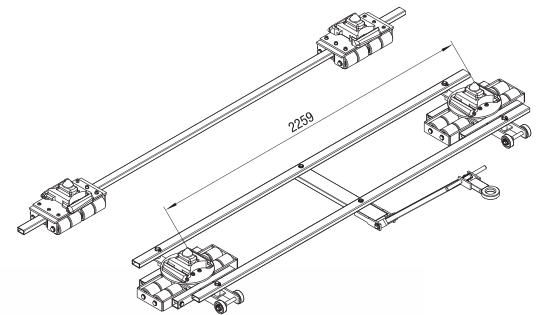
Container Dollies F12-c / TL12-c

Features:

- Specially designed twist locks to secure ISO containers to the dolly
- Accommodates uneven loads due to 4 points of support
- Connecting bars to increase load stability
- Durable, non-marking rollers



Technical data	F12-c	TL12-c
Item number	5-14130	5-14129
Loading height / number of wheels (85 x 85 mm)	7" / 16 176 mm / 16	7" / 16 176 mm / 16
Overall dimensions (L x W)	—	*x 89" / 2259 mm
Tare weight	136 lbs. / 61 kg	344 lbs. / 155 kg
Load Capacity	52,800 lbs. / 240 kN (24 t)	



*Length and width is according to container dimensions.