

## HCLNC

COIL LIFTER NARROW COIL .....Page 50



## HCL

COIL LIFTER.....Page 51



## HCLCS

COIL LIFTER CLOSE STACKING.....Page 52



## HCLSC

COIL LIFTER SLIT COIL.....Page 53



## HCGV

COIL GRAB VERTICAL.....Page 54



## HCLT

COIL LIFTER TELESCOPIC TWO-SIDED .....Page 55



## HNACL

NARROW ARM COIL LIFTER .....Page 56



COIL LIFTERS



**HARRINGTON  
INSTOCK**

## HCLNC COIL LIFTER NARROW COIL

### FEATURES

- This style of lifter is designed to easily lift and position narrow coils by placing the lifting arm securely through the I.D. of the coil.
- Supplied with standard lifter guide handle and radius on lifting arm to minimize coil damage.
- Engineered and manufactured to ASME B30.20 & BTH-1 Design Category B Service Class 2.
- 100% of ALL Harrington Lifting Beams are proof-tested to 125% capacity and certificates supplied at no additional charge.
- Made in USA.

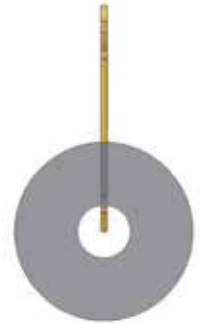
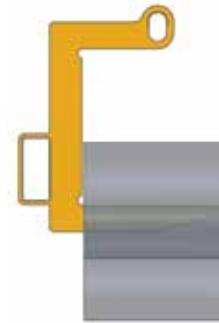
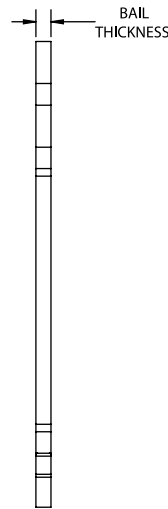
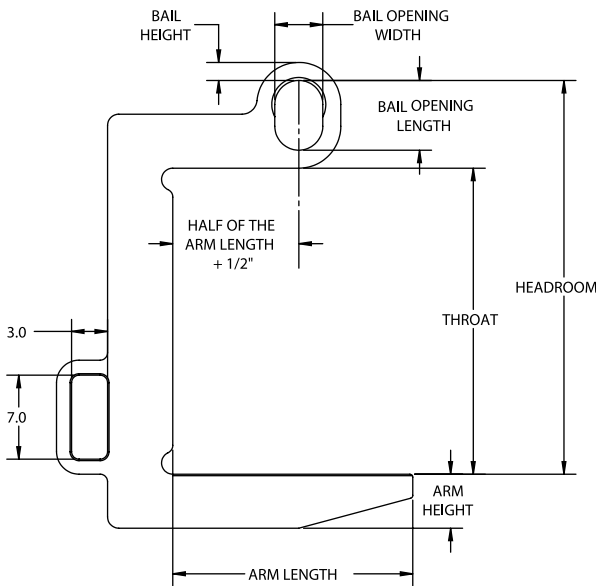
Products eligible for InStock display an IS icon.



### OPTIONS

- Higher capacities
- Additional lengths
- Higher throat sizes
- Protective padding
- Coil retainer cap
- Parking stands

COIL LIFTERS



Model #	Capacity (US Tons)*	Dimensions (Inches)									Weight (Lbs.)
		Coil Width Max	Headroom	Lift Arm Length	Lift Arm Height	Throat Opening Height	Bail Height	Bail Opening Width	Bail Opening Height	Bail Thickness	
HCLNC-1/2-8	1/2	8	18.6	8	2.25	14.5	0.75	2	3.25	0.5	13
HCLNC-1/2-12	1/2	12	18.6	12	2.25	14.5	0.75	2	3.25	0.5	14
HCLNC-1-8	1	8	21.6	8	2.25	17.5	0.81	2	3.25	0.5	15
HCLNC-1-16	1	16	21.6	16	3	17.5	0.81	2	3.25	0.5	22
HCLNC-2-8	2	8	24.5	8	2.5	19.5	1	2.63	4	0.75	27
HCLNC-2-16	2	16	24.5	16	3.25	19.5	1	2.63	4	0.75	41
HCLNC-3.5-12	3.5	12	28.2	12	3.25	21.5	1.19	3.63	5.5	1	57
HCLNC-3.5-16	3.5	16	28.2	16	3.75	21.5	1.19	3.63	5.5	1	69
HCLNC-5-16	5	16	33	16	4	25.5	1.5	4	6	1.25	105
HCLNC-5-20	5	20	33	20	4.5	25.5	1.5	4	6	1.25	121

\* 1 US Ton = 2,000 Lbs



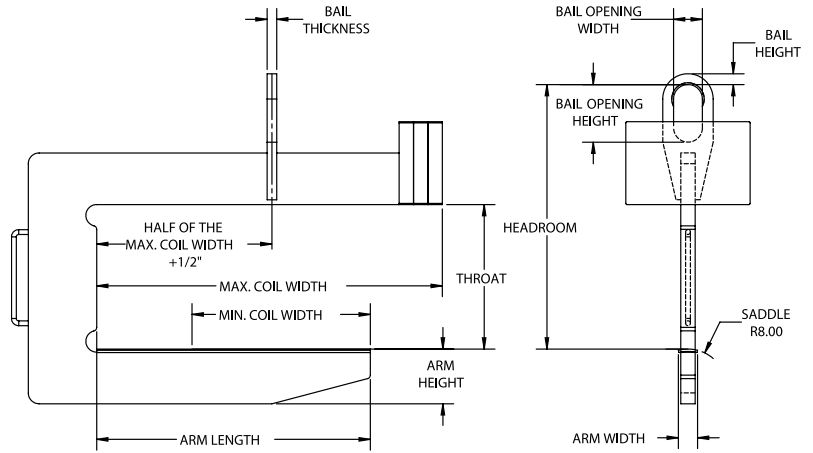
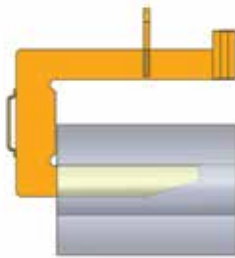
## HCL COIL LIFTER

### FEATURES

- This style of heavy duty lifter is designed to easily lift and position large heavy coils by placing the lifting arm securely through the I.D. of the coil.
- Supplied with standard lifter guide handle and curved saddle on lifting arm to minimize coil damage, optional padding is available for additional coil protection.
- Counterbalanced to hang level when not loaded.
- Engineered and manufactured to ASME B30.20 & BTH-1 Design Category B Service Class 2.
- 100% of ALL Harrington Lifting Beams are proof-tested to 125% capacity and certificates supplied at no additional charge.
- Made in USA.

### OPTIONS

- Higher capacities
- Additional lengths
- Larger throat sizes
- Protective padding
- Parking stands



Model #	Capacity (US Tons)*	Dimensions (Inches)										Weight (Lbs.)
		Coil Width Max/Min	Headroom	Lift Arm Length	Lift Arm Height	Lift Arm Width	Throat Opening Height	Bail Height	Bail Opening Width	Bail Opening Height	Bail Thickness	
HCL-5-36	5	36/24	38	30	6.25	4	24	1.5	4	7	1.25	500
HCL-5-48	5	48/30	38	39	6.25	4	24	1.5	4	7	1.25	730
HCL-5-60	5	60/36	38.8	48	7	4	24	1.5	4	7	1.25	885
HCL-7.5-36	7.5	36/24	38.3	30	6.5	4	24	1.5	4	7	1.5	725
HCL-7.5-48	7.5	48/30	39	39	7.25	4	24	1.5	4	7	1.5	875
HCL-7.5-60	7.5	60/36	39.8	48	8	4	24	1.5	4	7	1.5	1060
HCL-10-48	10	48/30	42.5	39	8.25	4	24	2	5	9	1.75	1060
HCL-10-60	10	60/36	42.5	48	8.25	4	24	2	5	9	1.75	1425
HCL-10-72	10	72/42	43.3	57	9	4	24	2	5	9	1.75	1670
HCL-15-48	15	48/30	49.3	39	9	4	30	2	5	9	1.75	1615
HCL-15-60	15	60/36	50.3	48	10	4	30	2	5	9	1.75	1925
HCL-15-72	15	72/42	51	57	10.75	4	30	2	5	9	1.75	2220
HCL-20-60	20	60/36	54	48	10.5	4	30	2.25	6	12	2	2520
HCL-20-72	20	72/42	55	57	11.5	4	30	2.25	6	12	2	2950
HCL-25-60	25	60/36	61.5	48	11.75	4	34	2.5	6	14	2.25	3060
HCL-25-72	25	72/42	62.5	57	12.75	4	34	2.5	6	14	2.25	3525
HCL-30-60	30	60/36	62.75	48	12.75	4	34	2.75	6	14	2.5	3425
HCL-30-72	30	72/42	62	57	12	5	34	2.75	6	14	2.5	4525
HCL-40-72	40	72/42	72.3	57	13.75	5	38	3.25	7	18	3	5730
HCL-50-84	50	84/48	77.5	66	16.5	5	40	3.75	7	18	3	7550

\* 1 US Ton = 2,000 Lbs



**DO NOT EXCEED CAPACITY!**  
See the SAFETY GUIDELINES section before using these products. Pages 88-90.

## HCLCS

### COIL LIFTER CLOSE STACKING

#### FEATURES

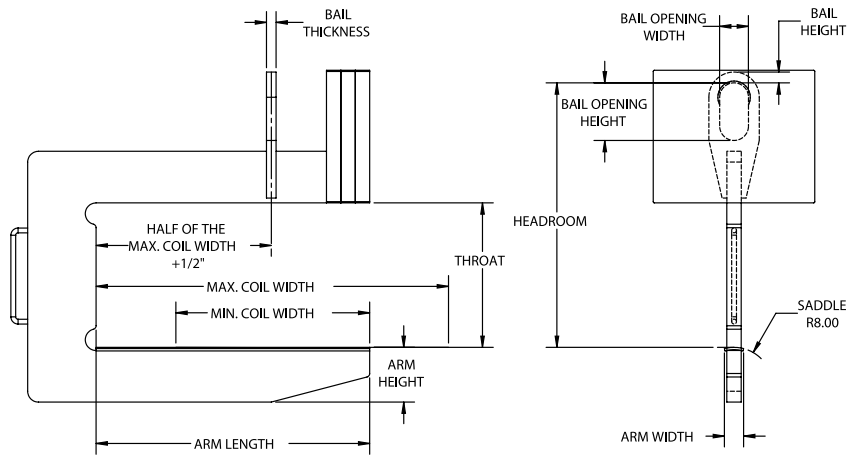
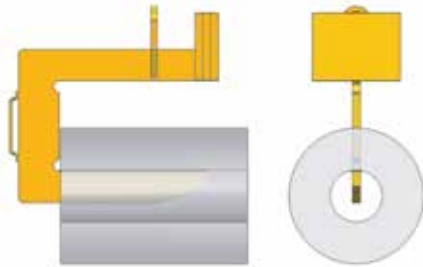
- This style of heavy duty lifter is designed with a recessed counterweight to allow for close coil stacking that maximizes floor space.
- Designed to easily lift and position large heavy coils by placing the lifting arm securely through the I.D. of the coil.
- Supplied with standard lifter guide handle and curved saddle on lifting arm to minimize coil damage, optional padding is available for additional coil protection.
- Counterbalanced to hang level when not loaded.
- Engineered and manufactured to ASME B30.20 & BTH-1 Design Category B Service Class 2.
- 100% of ALL Harrington Lifting Beams are proof-tested to 125% capacity and certificates supplied at no additional charge.
- Made in USA.



COIL LIFTERS

#### OPTIONS

- Higher capacities
- Additional lengths
- Larger throat sizes
- Protective padding
- Parking stands



Model #	Capacity (US Tons)**	Dimensions (Inches)										Weight (Lbs.)
		Coil Width Max/Min	Head-room	Lift Arm Length	Lift Arm Height	Lift Arm Width	Throat Opening Height	Bail Height	Bail Opening Width	Bail Opening Height	Bail Thickness	
HCLCS-5-36	5	36/24	38	30	6.25	4	24	1.5	4	7	1.25	633
HCLCS-5-48	5	48/30	38	39	6.25	4	24	1.5	4	7	1.25	950
HCLCS-5-60	5	60/36	38.8	48	7	4	24	1.5	4	7	1.25	1150
HCLCS-7.5-36	7.5	36/24	38.3	30	6.5	4	24	1.5	4	7	1.5	950
HCLCS-7.5-48	7.5	48/30	39	39	7.25	4	24	1.5	4	7	1.5	1150
HCLCS-7.5-60	7.5	60/36	39.8	48	8	4	24	1.5	4	7	1.5	1385
HCLCS-10-48	10	48/30	42.5	39	8.25	4	24	2	5	9	1.75	1390
HCLCS-10-60	10	60/36	42.5	48	8.25	4	24	2	5	9	1.75	1905
HCLCS-10-72	10	72/42	43.3	57	9	4	24	2	5	9	1.75	2210
HCLCS-15-48	15	48/30	49.3	39	9	4	30	2	5	9	1.75	2210
HCLCS-15-60	15	60/36	50.3	48	10	4	30	2	5	9	1.75	2610
HCLCS-15-72	15	72/42	51	57	10.75	4	30	2	5	9	1.75	2990
HCLCS-20-60	20	60/36	54	48	10.5	4	30	2.25	6	12	2	3490
HCLCS-20-72	20	72/42	55	57	11.5	4	30	2.25	6	12	2	4045
*HCLCS-25-60	25	60/36	61.5	48	11.75	4	34	2.5	6	14	2.25	3620
*HCLCS-25-72	25	72/42	62.5	57	12.75	4	34	2.5	6	14	2.25	4250
*HCLCS-30-60	30	60/36	62.75	48	12.75	4	34	2.75	6	14	2.5	4060
*HCLCS-30-72	30	72/42	62	57	12	5	34	2.75	6	14	2.5	5360
*HCLCS-40-72	40	72/42	72.3	57	13.75	5	38	3.25	7	18	3	6805

\*Counterweight extends beyond the arm by one-half of the counterweight width (thickness). \*\*1 US Ton = 2,000 Lbs



**DO NOT EXCEED CAPACITY!**

See the SAFETY GUIDELINES section before using these products. Pages 88–90.

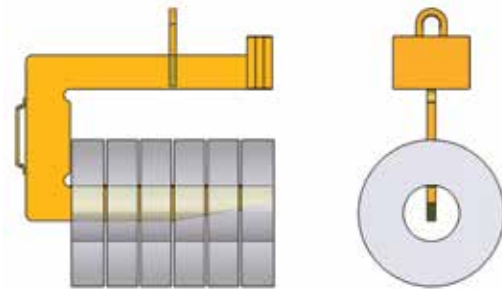
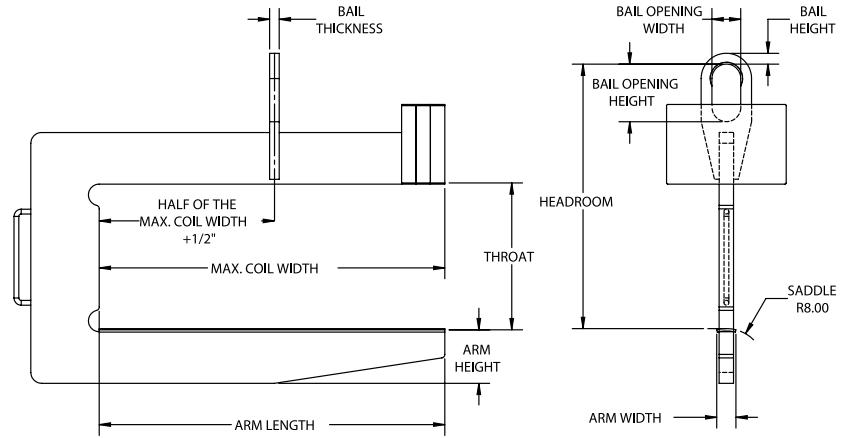
## HCLSC COIL LIFTER SLIT COIL

### FEATURES

- This style of heavy duty lifter is designed to handle multiple slit coils maximizing efficiency.
- Designed to easily lift and position large heavy slit coils by placing the lifting arm securely through the I.D. of the coil.
- Supplied with standard lifter guide handle and curved saddle on lifting arm to minimize coil damage, optional padding is available for additional coil protection.
- Counterbalanced to hang level when not loaded.
- Engineered and manufactured to ASME B30.20 & BTH-1 Design Category B Service Class 2.
- 100% of ALL Harrington Lifting Beams are proof-tested to 125% capacity and certificates supplied at no additional charge.
- Made in USA.

### OPTIONS

- Higher capacities
- Additional lengths
- Larger throat sizes
- Protective padding
- Parking stands



Model #	Capacity (US Tons)*	Dimensions (Inches)										Weight (Lbs.)
		Coil Width Max	Head-room	Lift Arm Length	Lift Arm Height	Lift Arm Width	Throat Opening Height	Bail Height	Bail Opening Width	Bail Opening Height	Bail Thickness	
HCLSC-5-36	5	36	38	36	6.25	4	24	1.5	4	7	1.25	510
HCLSC-5-48	5	48	38	48	6.25	4	24	1.5	4	7	1.25	740
HCLSC-5-60	5	60	38.8	60	7	4	24	1.5	4	7	1.25	905
HCLSC-7.5-36	7.5	36	38.3	36	6.5	4	24	1.5	4	7	1.5	730
HCLSC-7.5-48	7.5	48	39	48	7.25	4	24	1.5	4	7	1.5	890
HCLSC-7.5-60	7.5	60	39.8	60	8	4	24	1.5	4	7	1.5	1080
HCLSC-10-48	10	48	42.5	48	8.25	4	24	2	5	9	1.75	1070
HCLSC-10-60	10	60	42.5	60	8.25	4	24	2	5	9	1.75	1450
HCLSC-10-72	10	72	43.3	72	9	4	24	2	5	9	1.75	1700
HCLSC-15-48	15	48	49.3	48	9	4	30	2	5	9	1.75	1630
HCLSC-15-60	15	60	50.3	60	10	4	30	2	5	9	1.75	1945
HCLSC-15-72	15	72	51	72	10.75	4	30	2	5	9	1.75	2255
HCLSC-20-60	20	60	54	60	10.5	4	30	2.75	6	12	2	2540
HCLSC-20-72	20	72	55	72	11.5	4	30	2.75	6	12	2	2985
HCLSC-25-60	25	60	61.5	60	11.75	4	34	3.25	6	14	2.5	3085
HCLSC-25-72	25	72	62.5	72	12.75	4	34	3.25	6	14	2.5	3560

\* 1 US Ton = 2,000 Lbs



**DO NOT EXCEED CAPACITY!**  
See the SAFETY GUIDELINES section before using these products. Pages 88-90.

# LIFTING EQUIPMENT

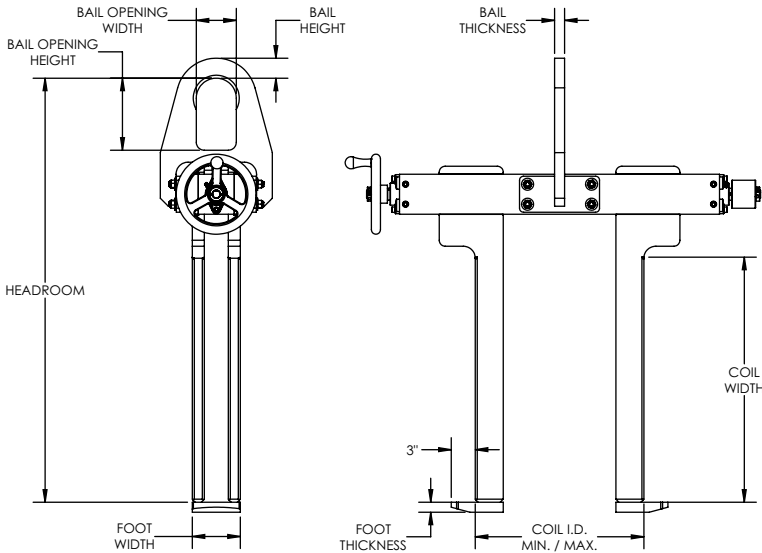
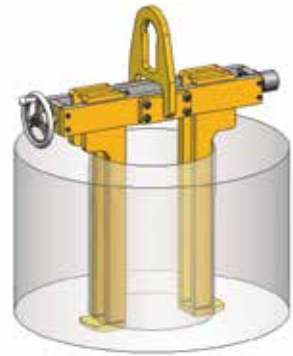
## HCGV COIL GRAB VERTICAL

### FEATURES

- This style of lifter is designed to handle coils that are stacked vertically.
- Supplied with manual adjusting legs that adjust to the I.D. of the coil with the standard hand wheel or optional chain wheel.
- Can be supplied with optional motorized leg drive.
- Engineered and manufactured to ASME B30.20 & BTH-1 Design Category B Service Class 2.
- 100% of ALL Harrington Lifting Beams are proof-tested to 125% capacity and certificates supplied at no additional charge.
- Made in USA.

### OPTIONS

- Higher & lower capacities
- Additional lengths
- Protective padding
- Parking stands
- Motorized leg drive



Model #	Capacity (US Tons)*	Coil ID Min/Max	Dimensions (Inches)									Weight (Lbs.)
			Coil Width Max	Head-room	Foot Width	Foot Thickness	Foot Length	Bail Height	Bail Opening Width	Bail Opening Height	Bail Thickness	
HCGV-2.5-24	2.5	16/24	20	36	5	0.75	15.5	1.5	3	5	0.75	275
HCGV-5-24	5	16/24	24	41	6	1	15.5	2	4	7	1	385
HCGV-7.5-24	7.5	16/24	24	42	6	1	15.5	2	4	7	1	468
HCGV-10-24	10	16/24	30	50	6	1.5	15.5	2.5	5	9	1.25	550

\* 1 US Ton = 2,000 Lbs



**DO NOT EXCEED CAPACITY!**  
See the SAFETY GUIDELINES section before using these products. Pages 88–90.

## HCLT COIL LIFTER TELESCOPIC TWO-SIDED

### FEATURES

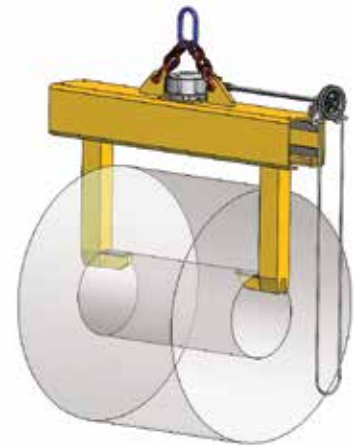
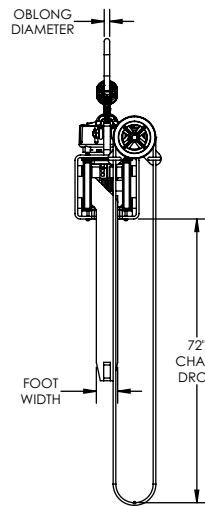
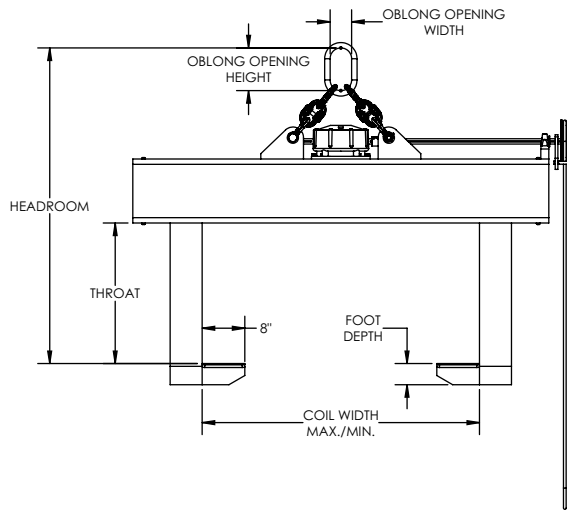
- This style of lifter is designed to efficiently handle coils with the inside diameter.
- The manual adjusting legs adjust to the I.D. of the coil with the standard chain wheel or an optional motorized leg drive and require less aisle space for operation.
- The self-locking gear drive prevents the inadvertent opening of the legs and curved foot pad minimizes coil damage.
- Engineered and manufactured to ASME B30.20 & BTH-1 Design Category B Service Class 2.
- 100% of ALL Harrington Lifting Beams are proof-tested to 125% capacity and certificates supplied at no additional charge.
- Made in USA.

### OPTIONS

- Higher capacities
- Additional lengths
- Protective padding
- Parking stands
- Motorized leg drive



Custom product shown with optional protective padding, handles, and pin style bail



Model #	Capacity (US Tons)*	Dimensions (Inches)								Weight (Lbs.)
		Coil Width Min/Max	Throat Opening Height	Headroom	Foot Width	Foot Thickness	Oblong ML Diameter	Oblong ML Opening Width	Oblong ML Opening Height	
HCLT-5-48	5	16/48	26	51	4	4	1	3.5	7	679
HCLT-5-60	5	20/60	28	53	4	4	1	3.5	7	826
HCLT-10-48	10	16/48	30	62	4	5	1.25	4.38	8.75	1015
HCLT-10-60	10	20/60	32	64	4	5	1.25	4.38	8.75	1134
HCLT-15-60	15	20/60	32	68	4	6	1.5	5.25	10.5	1302
HCLT-15-72	15	24/72	34	70	4	6	1.5	5.25	10.5	1505

\* 1 US Ton = 2,000 Lbs



**DO NOT EXCEED CAPACITY!**  
See the SAFETY GUIDELINES section before using these products. Pages 88-90.

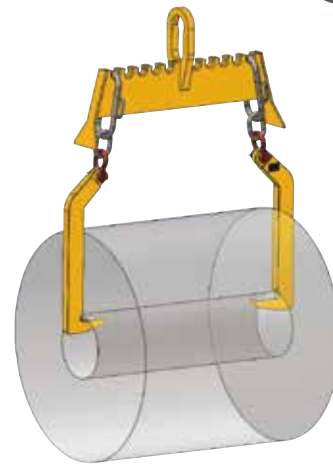
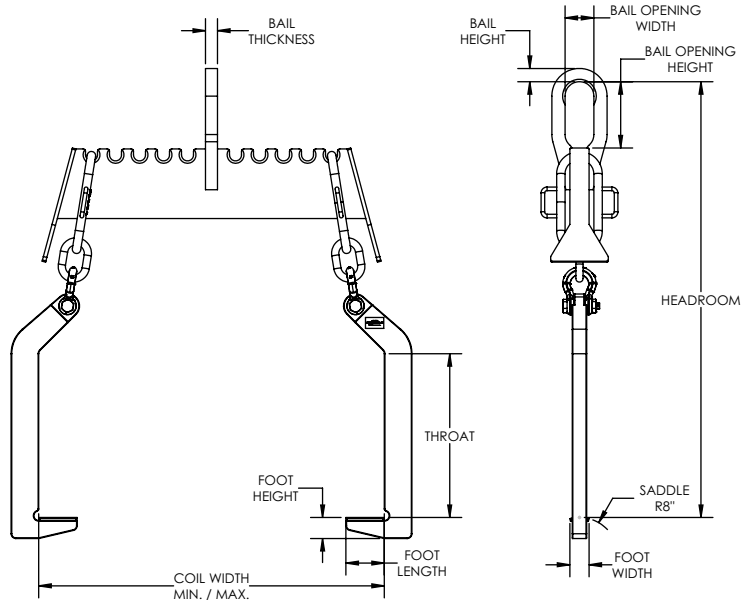
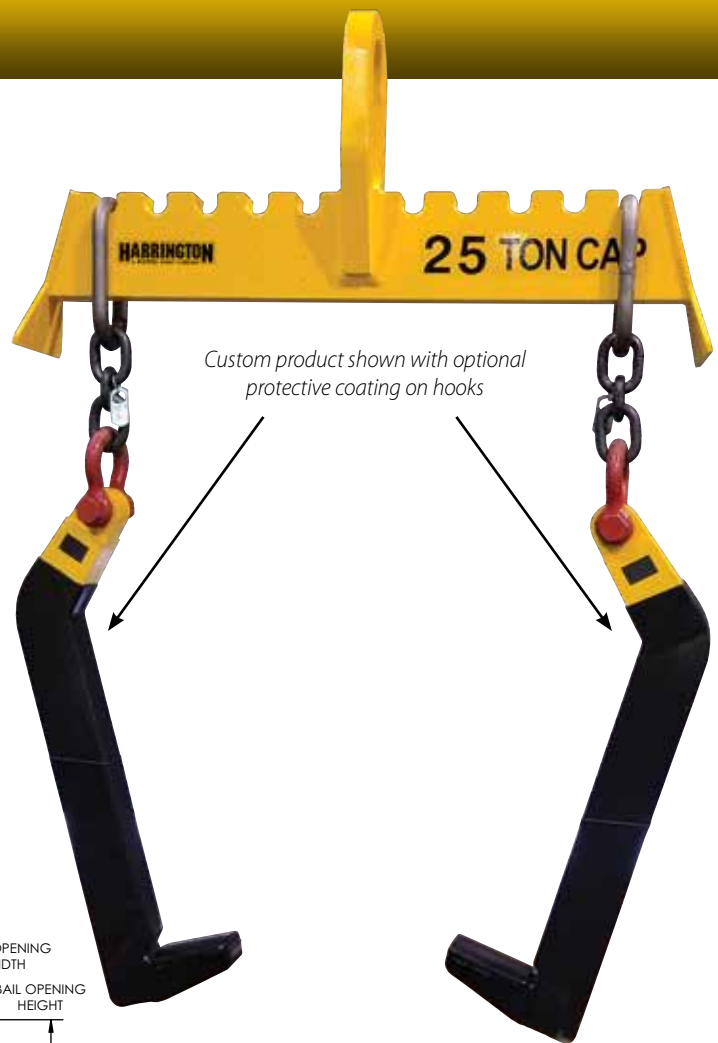
## HNACL NARROW ARM COIL LIFTER

### FEATURES

- This style of lifter is designed to efficiently handle coils with the inside diameter.
- The manual adjusting hooks easily adjust to the length of the coil and require less aisle space for operation.
- Supplied with standard plate style hooks with rounded corners to minimize coil damage. (Round bar hooks can be supplied as an option).
- Engineered and manufactured to ASME B30.20 & BTH-1 Design Category B Service Class 2.
- 100% of ALL Harrington Lifting Beams are proof-tested to 125% capacity and certificates supplied at no additional charge.
- Made in USA.

### OPTIONS

- Higher capacities
- Additional lengths
- Protective padding
- Parking stands
- Round bar hooks



Model #	Capacity (US Tons)*	Dimensions (Inches)										Weight (Lbs.)
		Coil Width Min/Max	Throat Opening Height	Head-room	Foot Height	Foot Width	Foot Length	Bail Height	Bail Opening Width	Bail Opening Height	Bail Thickness	
HNACL-10-48	10	20/48	24	64	4	4	8	2	5	9	1.25	310
HNACL-15-48	15	20/48	28	75	4.25	4	8	2	5	9	1.75	510
HNACL-20-60	20	24/60	30	80	4.5	4	8	2.25	6	12	2	680
HNACL-25-60	25	24/60	34	89	4.5	4	8	2.5	6	14	2.25	870
HNACL-30-72	30	24/72	34	89	4.5	4	8	2.75	6	14	2.5	1100

\* 1 US Ton = 2,000 Lbs



# COIL LIFTER

Custom Application Form



## LOAD INFORMATION:

Describe the material you are planning to lift: \_\_\_\_\_

Coil Lifter Type Needed: \_\_\_\_\_

Coil Stand Required:  Parking  Maintenance  None

Coil Positioning During Lift:  Eye Vertical  Eye Horizontal

Coil Material  Steel  Aluminum  Other (specify): \_\_\_\_\_

Is Coil Telescoped:  Yes  No If Yes, Material Length \_\_\_\_\_  O.D.  L.D.

Coil Features:  Banded  Oily  Tight Wound  Loose Wound  Other (specify): \_\_\_\_\_

Coil Placement: Prior To Lift: \_\_\_\_\_ Post Lift: \_\_\_\_\_

Does The Lifter Require Protective Lining To Prevent Coil Damage:  Yes  No

Is The Coil Hot:  Yes  No

If Yes: Max Temp \_\_\_\_\_ Required Contact Time With Material: \_\_\_\_\_ Min Time Between Lifts: \_\_\_\_\_

Coil Dimensions:

	Min (in)	Max (in)
O.D.		
I.D.		
Width/Height		
Weight		

## CRANE SPECIFICATIONS:

Distance Between Top Of The Load To The Crane Hook High Position(s): \_\_\_\_\_

Capacity Of The Crane(s): \_\_\_\_\_ Distance Between Cranes (if applicable): \_\_\_\_\_

Required Duty Cycle Of The Coil Lifter: Lifts Per Hour \_\_\_\_\_ Lifts Per Day \_\_\_\_\_

Crane Classification(s):  A  B  C  D  E  F

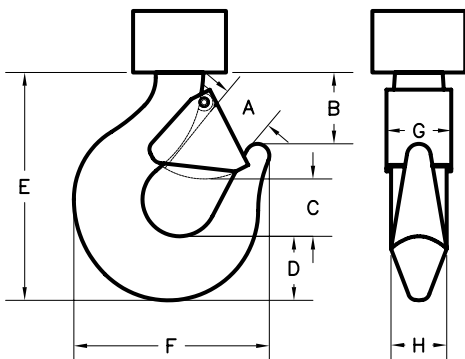
## MOTORIZED COIL LIFTER APPLICATION:

Operation:  Manual  Motorized:  AC  DC Voltage \_\_\_\_\_ Phase \_\_\_\_\_ Cycle \_\_\_\_\_

Controls Required:  Yes  No If Yes: Specify Type \_\_\_\_\_  Furnish Loose  Mounted On Lifter

## CRANE HOOK SPECIFICATIONS (Inches):

A: \_\_\_ B: \_\_\_ C: \_\_\_ D: \_\_\_ E: \_\_\_ F: \_\_\_ G: \_\_\_ H: \_\_\_



Please provide pertinent application information not supplied above (extreme product or operating temperature, extreme environmental conditions such as temperature or moisture, space or headroom restrictions, additional specifications):

\_\_\_\_\_

\_\_\_\_\_

\_\_\_\_\_