

LIFTING EQUIPMENT FORK TRUCK ACCESSORIES



HTB
TELESCOPING FORK TRUCK BOOMPage 78



HTBP
TELESCOPING PIVOT FORK TRUCK BOOM.....Page 79



HFHS
FORK TRUCK HOOK.....Page 80



HFHBS
FORK TRUCK HOOK BEAM.....Page 81



HFHBD
FORK TRUCK DOUBLE HOOK BEAMPage 82

FORK TRUCK ACC.

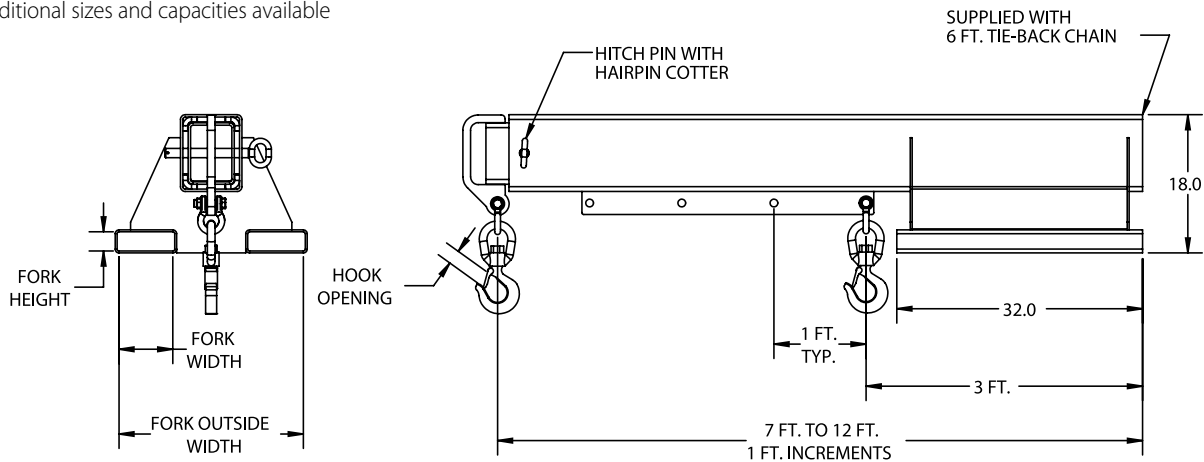
HTB TELESCOPING FORK TRUCK BOOM

FEATURES

- This style of fork truck attachment is designed to efficiently lift and carry loads with a telescoping boom with locking pin allowing for multiple hook positions.
- 12' maximum boom reach and supplied with standard swivel hooks.
- Supplied with standard restraining chain with grab hook and attached handle for ease of boom extension.
- 12' maximum boom reach, and supplied with standard swivel or fixed hooks.
- Engineered and manufactured in accordance to ASME B30.20 & BTH-1 Design Category B Service Class 2.
- 100% of ALL Harrington Lifting Beams are proof-tested to 125% capacity and certificates supplied at no additional charge.
- Made in USA.

OPTIONS

- Additional sizes and capacities available



FORK TRUCK ACC.

Model # Fixed	Dimensions (Inches)					Max Capacity at Hook Position (Lbs.)							Weight (Lbs.)
	Fork Opening Height	Fork Opening Width	Fork Outside Width	Headroom	Hook Opening	3' to 6'	7'	8'	9'	10'	11'	12'	
HTB-30	2.5	7	22	18	1	3000	3000	2600	2200	1900	1600	1500	490
HTB-40	2.5	7	22	18	1.09	4000	3200	2600	2200	1900	1600	1500	490
HTB-60	2.5	7	22	18	1.36	6000	5000	4200	3500	3000	2700	2500	565
HTB-80	2.5	7	22	18	1.61	8000	7000	5700	4800	4100	3600	3100	750

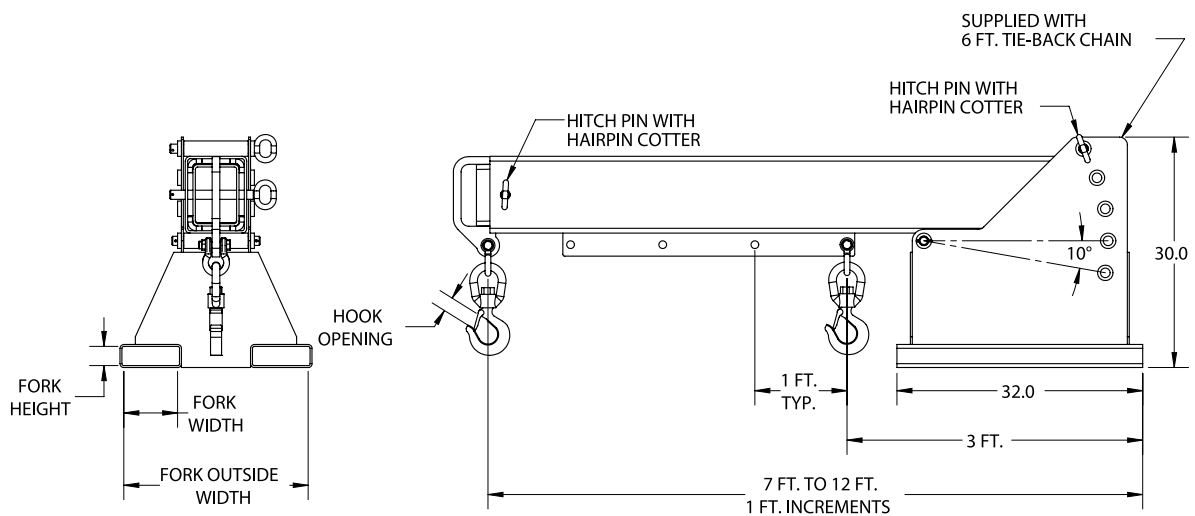
HTBP TELESCOPING PIVOT FORK TRUCK BOOM

FEATURES

- This style of fork truck attachment is designed to efficiently lift and carry loads with a telescoping pivot boom with locking pin allowing for multiple hook positions.
- Supplied with standard restraining chain with grab hook and attached handle for ease of boom extension.
- 12' maximum boom reach supplied with standard swivel hooks and can pivot to a vertical height of 6'4".
- Engineered and manufactured in accordance to ASME B30.20 & BTH-1 Design Category B Service Class 2.
- 100% of ALL Harrington Lifting Beams are proof-tested to 125% capacity and certificates supplied at no additional charge.
- Made in USA.

OPTIONS

- Additional sizes and capacities available.



Model # Fixed	Dimensions (Inches)					Max Capacity at Hook Position (Lbs.)							Weight (Lbs.)
	Fork Opening Height	Fork Opening Width	Fork Outside Width	Headroom	Hook Opening	3' to 6'	7'	8'	9'	10'	11'	12'	
HTBP-30	2.5	7	22.5	30	1	3000	3000	2600	2200	1900	1600	1500	565
HTBP-40	2.5	7	22.5	30	1.09	4000	3200	2600	2200	1900	1600	1500	565
HTBP-60	2.5	7	22.5	30	1.36	6000	5000	4200	3500	3000	2700	2500	680
HTBP-80	2.5	7	22.5	30	1.61	8000	7000	5700	4800	4100	3600	3100	870



DO NOT EXCEED CAPACITY!
See the SAFETY GUIDELINES section before using these products. Pages 88-90.



**HARRINGTON
INSTOCK**

Products eligible for InStock display an IS icon.

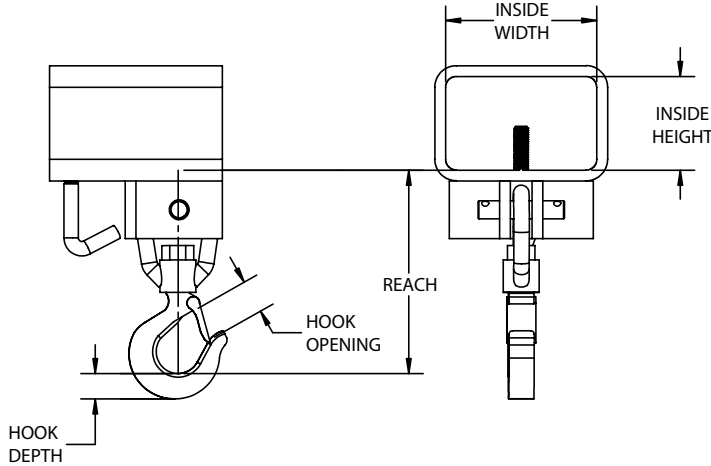
HFHS FORK TRUCK HOOK

FEATURES

- This style of fork truck attachment is designed to efficiently lift and carry loads on the fork of a lift truck with a single latched swivel hook.
- Easily attaches to the forks.
- Engineered and manufactured in accordance to ASME B30.20 & BTH-1 Design Category B Service Class 2.
- 100% of ALL Harrington Lifting Beams are proof-tested to 125% capacity and certificates supplied at no additional charge.
- Made in USA.

OPTIONS

- Additional sizes and capacities available



FORK TRUCK ACC.

Model #	Capacity (US Tons)*	Dimensions (Inches)						Weight (Lbs.)
		Inside Beam Width	Inside Beam Height	Hook Reach Fixed	Hook Reach Swivel	Hook Depth	Hook Opening	
HFHS-1.5-4.5	1.5	5.25	3.25	4.69	6.56	1	1	17
HFHS-1.5-5.5	1.5	6	3	4.69	6.56	1	1	22
HFHS-1.5-6.5	1.5	7	3	4.69	6.56	1	1	24

* 1 US Ton = 2,000 Lbs





HFHBS FORK TRUCK HOOK BEAM

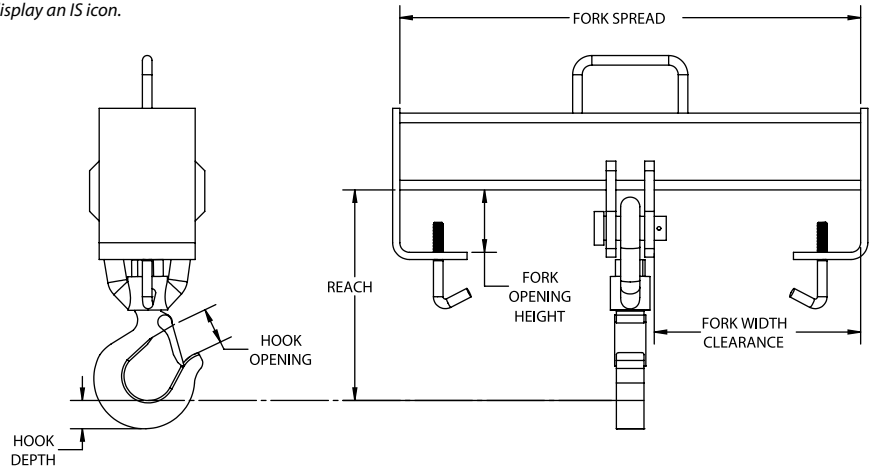
Products eligible for InStock display an IS icon.

FEATURES

- This style of fork truck attachment is designed to efficiently lift and carry loads on both forks of a lift truck with a single latched swivel hook.
- Easily attaches to the forks.
- Engineered and manufactured in accordance to ASME B30.20 & BTH-1 Design Category B Service Class 2.
- 100% of ALL Harrington Lifting Beams are proof-tested to 125% capacity and certificates supplied at no additional charge.
- Made in USA.

OPTIONS

- Additional sizes and capacities available



Model #	Dimensions (Inches)								Weight (Lbs.)
	Capacity (US Tons)*	Fork Spread	Fork Opening Height	Fork Width Clearance	Hook Reach Fixed	Hook Reach Swivel	Hook Depth	Hook Opening	
HFHBS-2-20	2	20	3.25	9.13	7.25	8.88	1.13	1.16	25
HFHBS-5-24	5	24	3.25	10.75	9.25	11.44	1.81	1.69	50
HFHBS-5-36	5	36	3.25	16.75	9.25	11.44	1.81	1.69	80
HFHBS-7.5-36	7.5	36	4.25	16.25	13.75	15.75	2.25	2.22	175
HFHBS-10-36	10	36	4.25	16	14.63	16.44	2.59	2.41	190
HFHBS-15-36	15	36	4.25	15.88	14.5	16.31	2.59	2.41	220

* 1 US Ton = 2,000 Lbs

FORK TRUCK ACC.



DO NOT EXCEED CAPACITY!
See the SAFETY GUIDELINES section before using these products. Pages 88-90.

HFHBD

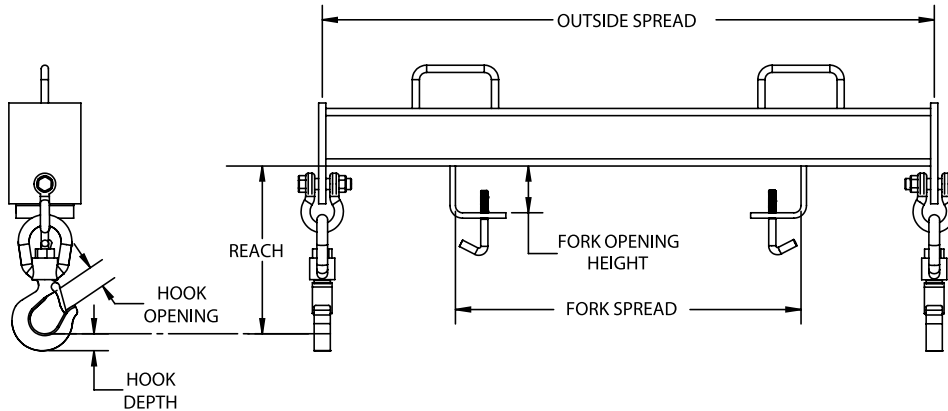
FORK TRUCK DOUBLE HOOK BEAM

FEATURES

- This style of fork truck attachment is designed to efficiently lift and carry loads on both forks of a lift truck with two latched swivel hooks.
- Easily attaches to the forks.
- Engineered and manufactured in accordance to ASME B30.20 & BTH-1 Design Category B Service Class 2.
- 100% of ALL Harrington Lifting Beams are proof-tested to 125% capacity and certificates supplied at no additional charge.
- Made in USA.

OPTIONS

- Additional sizes and capacities available



Model #	Capacity (US Tons)*	Dimensions (Inches)						Weight (Lbs.)
		Outside Beam Spread	Fork Spread	Fork Opening Height	Hook Reach	Hook Depth	Hook Opening	
HFHBD-2-20	2	36	20	3.25	10.38	1.44	0.91	66
HFHBD-5-24	5	42	24	3.25	11.66	1.44	1.36	75

* 1 US Ton = 2,000 Lbs

